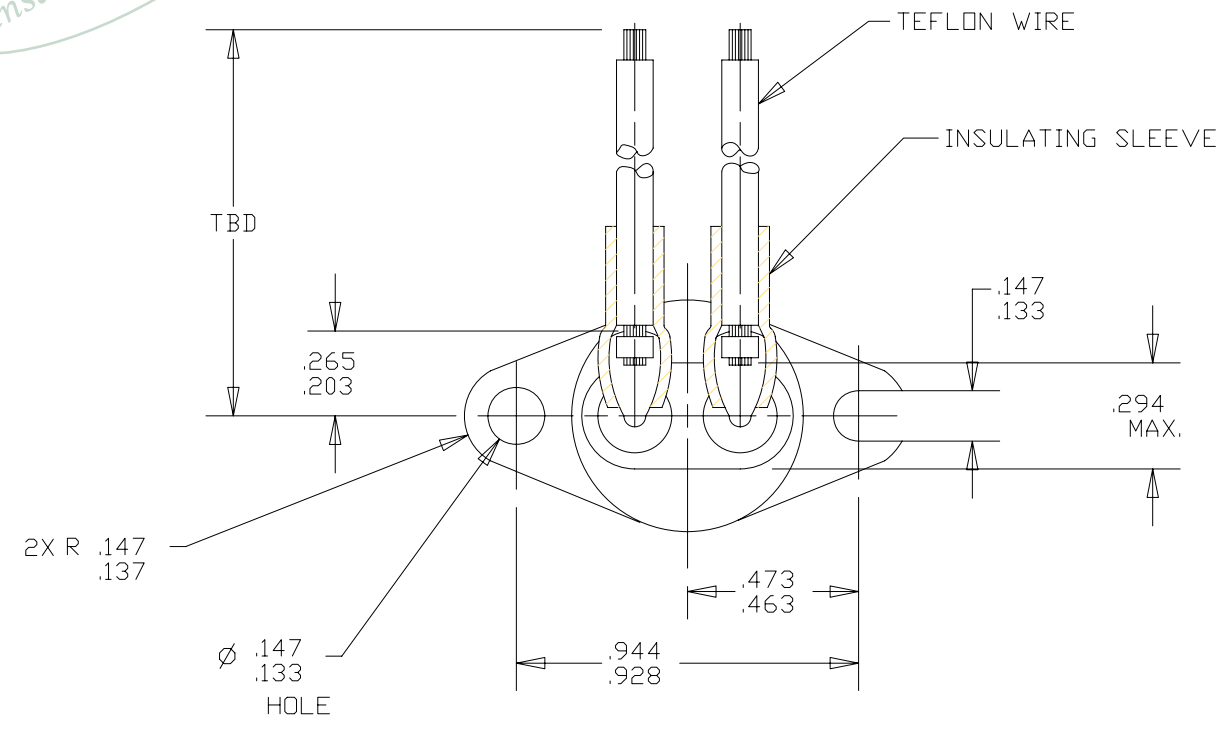


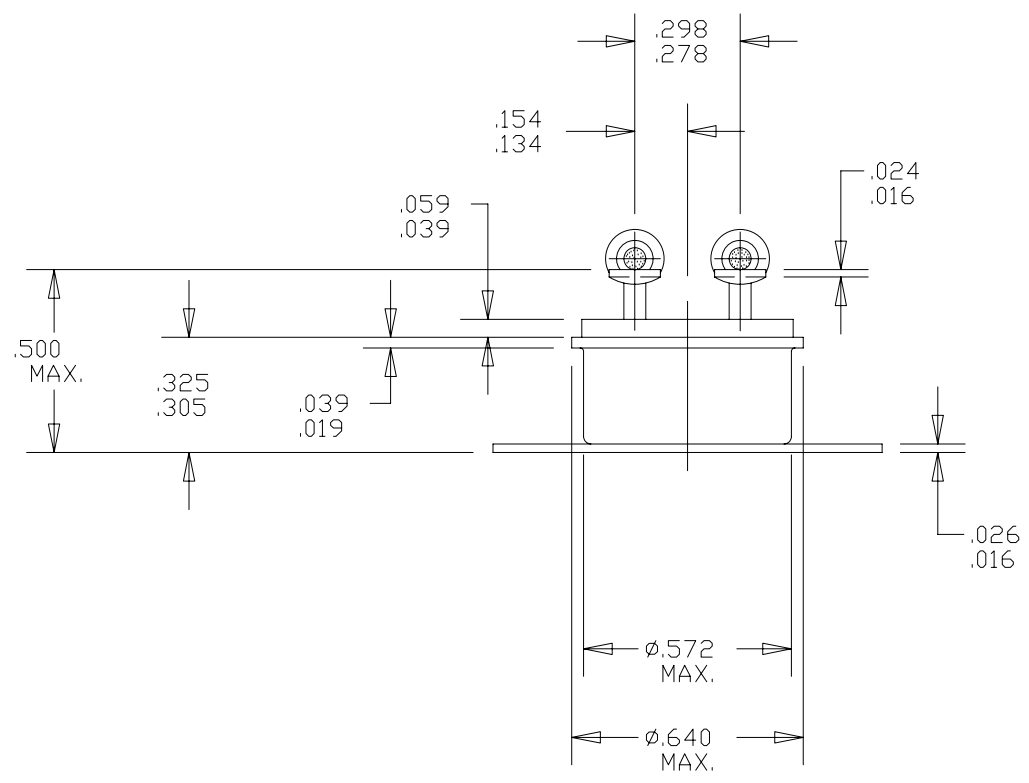
Property of
Sensata Technologies

ZONE	REV.	REVISION DESCRIPTION	ECN NO.	DATE
C3-4	B	.147/.133 WAS .163/.148 (HOLE & SLOT); PD	ECO-067560	27-JUL-2011



FINISH: ----- COPPER NICKEL PLATE
(CQ-N-290, TYPE IV, CLASS II)

DIELECTRIC STRENGTH
TERMINAL TO CASE: ----- 1250 VOLTS, RMS, 60 CYCLES FOR 1 MINUTE



FOR REFERENCE ONLY, CHECK LATEST REVISION BEFORE USE. PARTS MADE TO THIS PRINT MUST CONFORM TO E9898 REV. E		 529 PLEASANT STREET P.O. BOX 2964 ATTLEBORO, MA 02703
DRAWN RORY W. ANDERSON DATE 28-APR-2000	SENSATA TECHNOLOGIES PROPRIETARY AND CONFIDENTIAL. NEITHER THIS PRINT NOR THE INFORMATION CONTAINED HEREON IS TO BE USED AGAINST THE INTERESTS OF SENSATA TECHNOLOGIES OR AGAINST THE INTERESTS OF ANY OF ITS AFFILIATED COMPANIES OR WHOLLY OWNED SUBSIDIARIES.	
ENGINEER S.B. MARQUIS DATE 28-APR-2000	INTERPRET DIMENSIONING AND TOLERANCING PER ASME Y14.5-2009. UNLESS OTHERWISE SPECIFIED DIMENSIONS ARE IN INCHES. TOLERANCES DECIMALS ANGLES	TITLE SPST AUTO-RESET SEALED ENVELOPE DRAWING
APPROVED D.R. PETRIE DATE 28-APR-2000	DO NOT SCALE DRAWING THIRD ANGLE PROJECTION	SIZE DWG NO. REV. B 11041-255 B
APPROVED P. BERG DATE 28-APR-2000		SCALE 2:1 AUTOCAD SHEET 1 OF 1

DEVICE: PROJECT: 1