

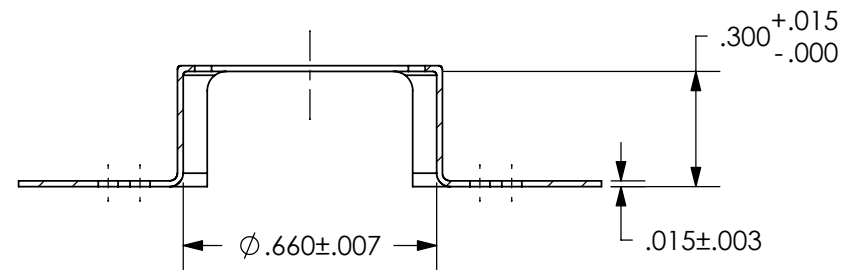
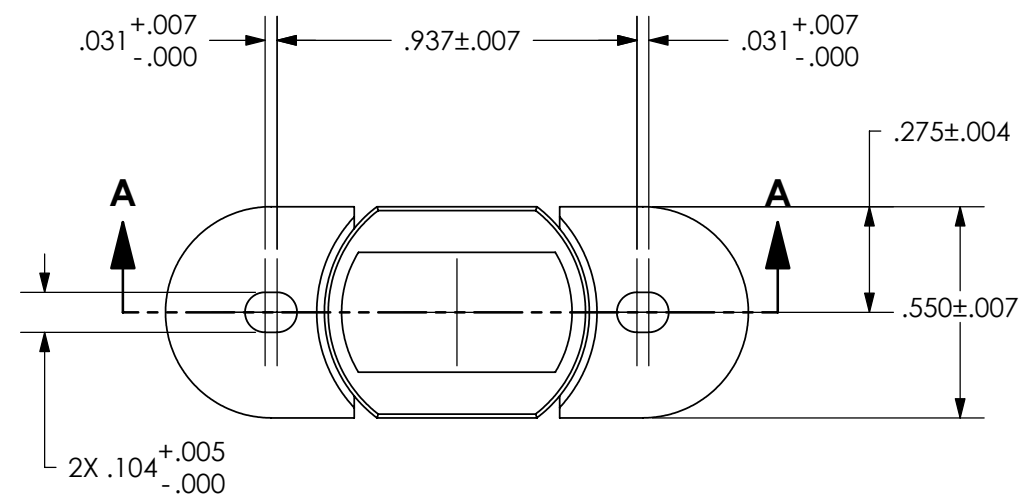
4

3

2

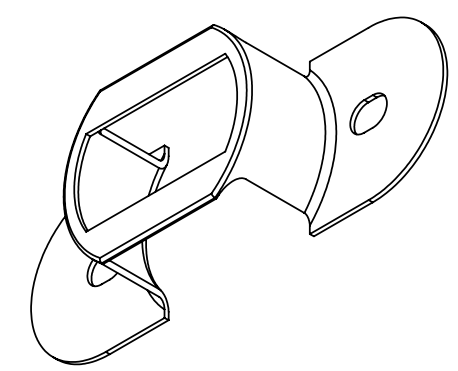
1

ZONE	REV.	REVISION DESCRIPTION	ECN NO.	DATE
	D	REDOCUMENTED IN SOLIDWORKS, REMOVED OUTSIDE DIM. $\phi .690 \pm .015$ ADDED INSIDE DIM. $\phi .660 \pm .007$ ZONE B3; DF	ECN0035779	11-JUL-2007


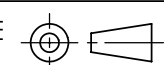


SECTION A-A

REFERENCE VIEW



THE ABOVE BRACKET IS ALWAYS INCLUDED WHEN THE THIRD DIGIT IN THE M2 TYPE PART NO IS A 2.

FOR REFERENCE ONLY, CHECK LATEST REVISION BEFORE USE. PARTS MADE TO THIS PRINT MUST CONFORM TO E9898 REV. E.		 529 PLEASANT STREET P.O. BOX 2964 ATTLEBORO, MA 02703	
DRAWN O. LARSEN DATE 14-FEB-1996	SENSATA TECHNOLOGIES PROPRIETARY AND CONFIDENTIAL. NEITHER THIS PRINT NOR THE INFORMATION CONTAINED HEREON IS TO BE USED AGAINST THE INTERESTS OF SENSATA TECHNOLOGIES OR AGAINST THE INTERESTS OF ANY OF ITS AFFILIATED COMPANIES OR WHOLLY OWNED SUBSIDIARIES.		TITLE
ENGINEER J. DOHERTY DATE 12-FEB-1962	UNLESS OTHERWISE SPECIFIED DIMENSIONS ARE IN INCHES TOLERANCES DECIMALS ANGLES		MOUNTING BRACKET FOR M2 THERMOSTAT ENVELOPE DRAWING
APPROVED RICH MULLEN DATE 14-FEB-1996	DO NOT SCALE DRAWING		SIZE B
APPROVED DATE	THIRD ANGLE PROJECTION 	DWG NO. 12417-1	REV. D
SCALE 2:1		SOLIDWORKS	SHEET 1 OF 1

4

3

2

1

DEVICE: M2

PROJECT: 788