

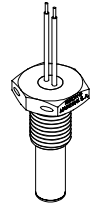
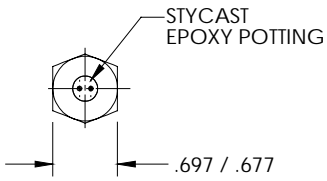
4

3

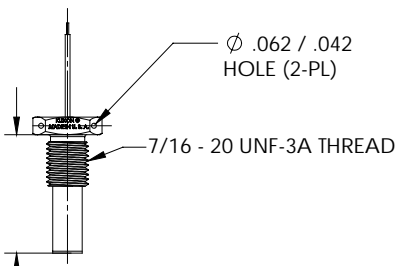
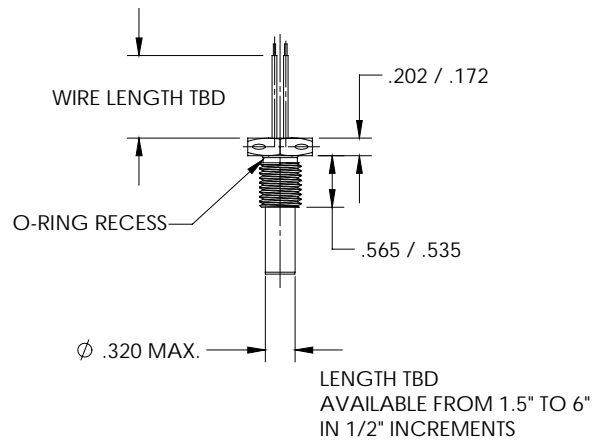
2

1

REVISIONS				
ZONE	LTR	DESCRIPTION	DATE	APPROVED



- CHARACTERISTICS**
- BASIC THERMOSTAT: 3BT STYLE
  - DIELECTRIC STRENGTH: 1250 VAC FOR 1 MINUTE TERMINALS TO CASE
  - MATERIAL: #300 STAINLESS STEEL
- NOTES:**
- ORIENTATION OF WIRE LEADS TO DEVICE CENTERLINE IS NOT CONTROLLED.
  - CODE KLIXON ®. MADE IN USA AND TI PART NO. ON TAG ATTACHED TO EACH PACKAGE THRU WIRE HOLES.



THIS IS A CAD DRAWING. THE GEOMETRY IN THE ASSOCIATED CAD COMPUTER FILE IS DIMENSIONALLY ACCURATE. WHEN DRAWING IS BEING REVISED, THE GEOMETRY MUST BE UPDATED IN ALL VIEWS AND ON ALL SHEETS.

UNLESS OTHERWISE SPECIFIED DIMENSIONS ARE IN INCHES	DRAWN: S. MARQUIS	DATE: 3/25/02	<b>TEXAS INSTRUMENTS</b> ATILEBORO MA 02705		 CONTROL PRODUCTS DIVISION
TOLERANCES ON FRACTIONS DECIMALS ANGLES	ENGINEER:		TITLE: THERMOSTAT SWITCH ENVELOPE DRAWING		
MATERIAL:	APPROVED:		SIZE: B	CODE IDENT NO: 82647	21561 STYLE
SIGNATURES ON FILE. REFER TO ELECTRONIC CHANGE NOTICE.			SCALE:	SHEET:	

NEITHER THIS PRINT NOR THE INFORMATION CONTAINED THEREON IS TO BE USED AGAINST THE INTEREST OF TEXAS INSTRUMENTS, INC. OR AGAINST THE INTERESTS OF ANY OF ITS AFFILIATED COMPANIES OR WHOLLY OWNED SUBSIDIARIES.

FOR REFERENCE ONLY CONSULT TEXAS INSTRUMENTS CUSTOMER SERVICE FOR LATEST REVISION BEFORE USE

4

3

2

1