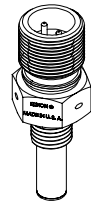
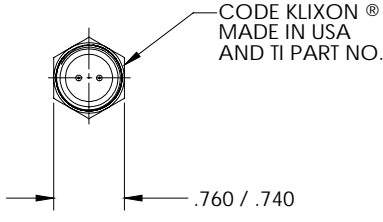


4 3 2 1

REVISIONS				
ZONE	LTR	DESCRIPTION	DATE	APPROVED



- CHARACTERISTICS
- BASIC THERMOSTAT: 3BT STYLE
  - DIELECTRIC STRENGTH: 1250 VAC FOR 1 MINUTE TERMINALS TO CASE
  - MATERIAL: #300 STAINLESS STEEL

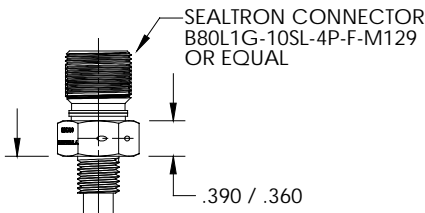
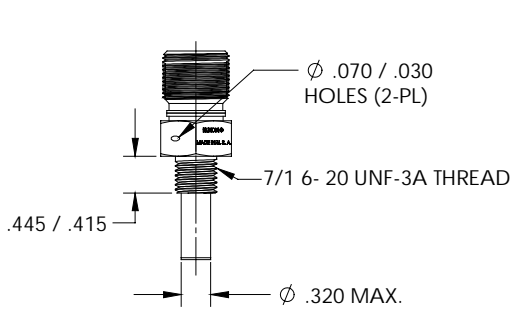
NOTES:  
1. ORIENTATION OF CONNECTOR TO DEVICE CENTERLINE IS NOT CONTROLLED.

D

C

B

A



LENGTH TBD  
AVAILABLE FROM 1.5" TO 6"  
IN 1/2" INCREMENTS

UNLESS OTHERWISE SPECIFIED DIMENSIONS ARE IN INCHES				
TOLERANCES ON FRACTIONS DECIMALS ANGLES				
ENGINEER	S. MARQUIS	DATE	3/25/02	<b>TEXAS INSTRUMENTS</b> ATILEBORO MA 02705 
APPROVED				
MATERIAL				TITLE
				<b>THERMOSTAT SWITCH ENVELOPE DRAWING</b>
				SIZE B CODE IDENT NO. 82647 SCALE SHEET

NEITHER THIS PRINT NOR THE INFORMATION CONTAINED THEREON IS TO BE USED AGAINST THE INTEREST OF TEXAS INSTRUMENTS, INC. OR AGAINST THE INTERESTS OF ANY OF ITS AFFILIATED COMPANIES OR WHOLLY OWNED SUBSIDIARIES.

FOR REFERENCE ONLY CONSULT TEXAS INSTRUMENTS CUSTOMER SERVICE FOR LATEST REVISION BEFORE USE

4 3 2 1