



KLIXON | PRESSURE SWITCHES

25PS, 42PS, 44PS, 45PS and 46PS Series

LEADING THE WORLD IN SWITCH DESIGN

Sensata's 25PS pressure switch family of products has been designed for direct control of electric motors and other demanding load applications requiring precise pressure settings. Sensata's Klixon® snap acting disc is the heart of this hermetically sealed product offering. Extended electrical capacities and life cycles, in both environmentally sealed and unsealed configurations, encourage usage in the most rigorous electrical protection applications.

Sensata Technologies has been a leading global supplier of pressure sensors and switches for over 50 years.

Features & Benefits

- Hermetically Sealed Sensor
- Snap Acting/Automatic Reset
- Custom Engineered Solutions
- Factory Calibrated Setpoints
- SPST or SPDT both normally open or closed contacts
- Electrically rated to 600V (44/45PS)
- High cycle life capability (42/44PS)
- Environmental sealing is available
- High current capability

Applications

- Air Conditioning (R410a, R22, R134a, R470c, CO 2, (R333a), Ammonia (R717))
- Fan Cycling
- High capacity compressors
- Refrigeration Industrial Systems
- Extreme load applications
- Single Pole, Double Throw (SPDT) for alarm signaling

Technical Specifications

Operating Pressure

500 psig (34 bar)

Proof Pressure*

600 psig (41 bar)

Burst Pressure

5000 psig (345 bar)

Life at Rated Current

1,000,000 cycles 0-300 psig/milliamp load
100,000 cycles 0-500 psig full amperage

Electrical Ratings

5 mA @ 9 Vdc to 2A @ 28 Vdc
5.8 FLA/34.8 LRA @ 120 Vac
2.9 FLA/15.0 LRA @ 240/277 Vac

Dielectric Strength

750 Vrms Open Contacts
1500 Vrms Terminals to Fittings (ground)

Lead Wire Material

#16 & #18 AWG 600 V 105°C 1/32" PVC
Quick Connects .250" x 0.032" straight male spa
Others upon request; call Sensata

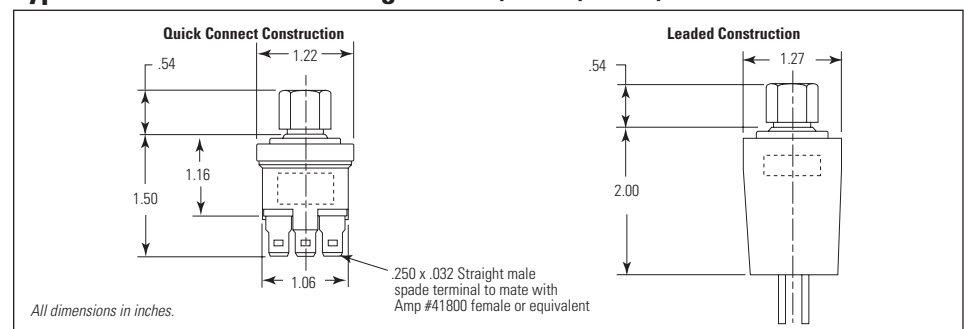
Ambient Temperature

-40°F to 257°F (-40°C to 125°C)
(4% setpoint shift @ 100°C)

Fluid Temperature

-65°F to 275°F (-53.9°C to 135°C)

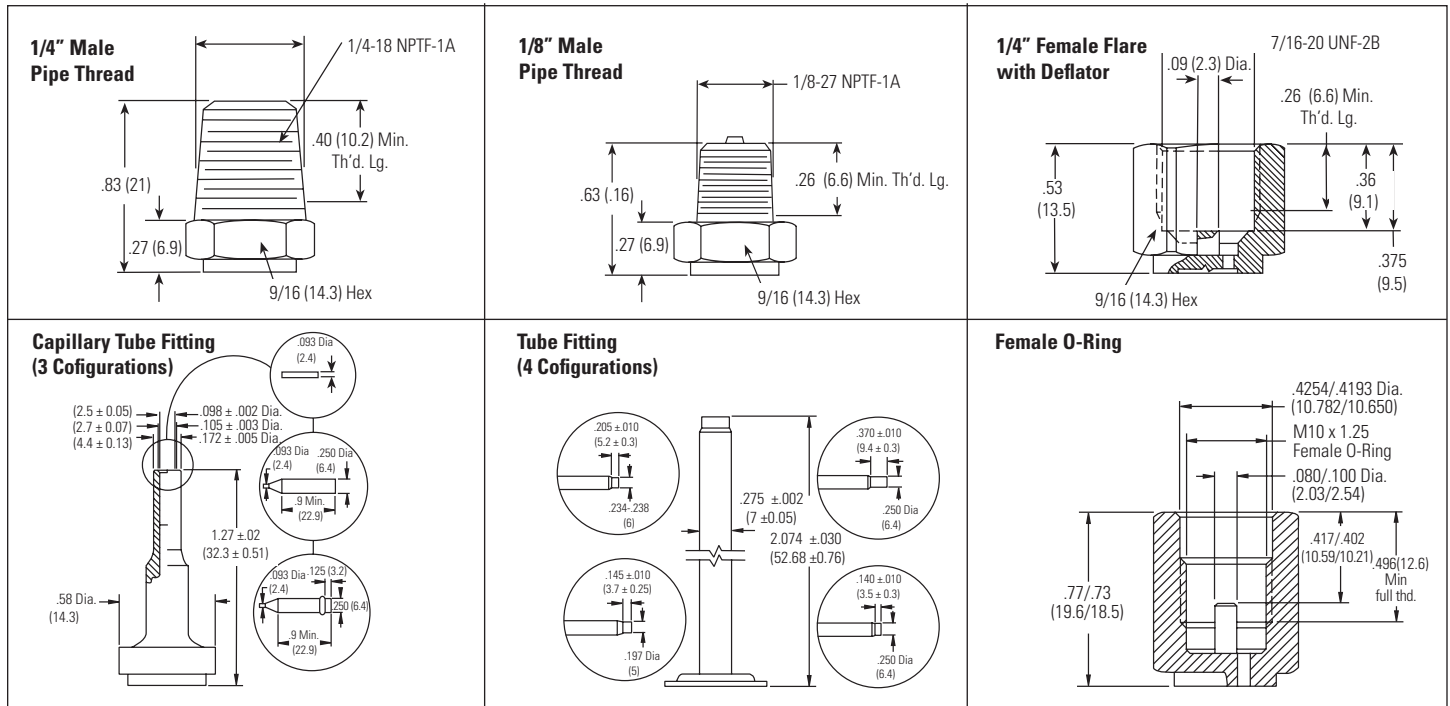
Typical Dimensional Drawings - 25PS, 42PS, 44PS, 45PS



KLIXON® | PRESSURE SWITCHES

25PS, 42PS, 44PS, 45PS and 46PS Series

Typical Standard Fittings (Other port fittings are available. Contact Marketing.)



Electrical Ratings

Device	Switch Type**	28 Vdc	120 Vac				240 Vac				480 Vac		600 Vac	
		Amps Inductive	Amps Res	FLA	LRA	VA Pilot Duty	Amps Res	FLA	LRA	VA Pilot Duty	FLA	LRA	FLA	LRA
25/42PS -SPST	NO	15	13	13	65	125	10	10	45	125	-	-	-	-
	NC	15	25††	13	60	125	25††	10	45	125	-	-	-	-
25/42PS -SPDT	NO	15	10	5.8	34.8	278	5	2.9	17.4	278	-	-	-	-
	NC	15	25††	13	60	125	25††	10	45	125	-	-	-	-
44/45PS -SPST	NO	15	13	13	65	125	10	10	45	125	4	24	3.2	19.2
	NC	15	25††	13	60	125	25††	10	45	125	4	24	3.2	19.2
44/45PS -SPDT	NO	15	10	5.8	34.8	278	5	2.9	17.4	278	-	-	-	-
	NC	15	25††	13	60	125	25††	10	45	125	-	-	-	-



The World Depends on Sensors and Controls

Sensata Technologies

529 Pleasant Street, MS B19
 Attleboro, MA 02703-2964

Phone 1-888-438-2214

Fax: 508-236-2349

email: sensors@sensata.com

www.sensata.com

Important Notice: Sensata Technologies (Sensata) reserves the right to make changes to or discontinue any product or service identified in this publication without notice. Sensata advises its customers to obtain the latest version of the relevant information to verify, before placing any orders, that the information being relied upon is current. Sensata assumes no responsibility for infringement of patents or rights of others based on Sensata applications assistance or product specifications since Sensata does not possess full access concerning the use or application of customers' products. Sensata also assumes no responsibility for customers' product designs.