

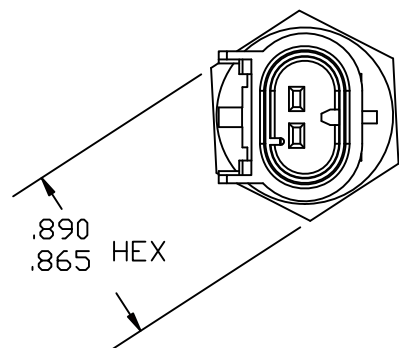
4

3

2

1

ZONE	REV.	REVISION DESCRIPTION	ECN NO.	DATE
	A	INITIAL RELEASE FOR PRODUCTION; GML	ECN0055211	08-OCT-2009



PACKARD CONNECTOR ASSY
PART NO. 13510099 REV.01
BLACK GT 150 SEALED MALE

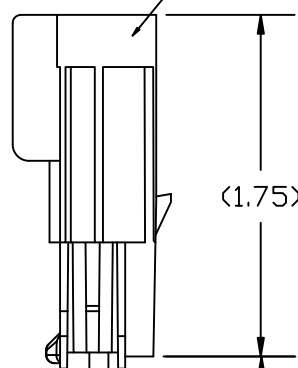
CHARACTERISTICS:

OPERATING TEMPERATURES: OPEN 230°F±11°F
CLOSE 248°F±11°F

PROBE MATERIAL: 300 SERIES STAINLESS STEEL

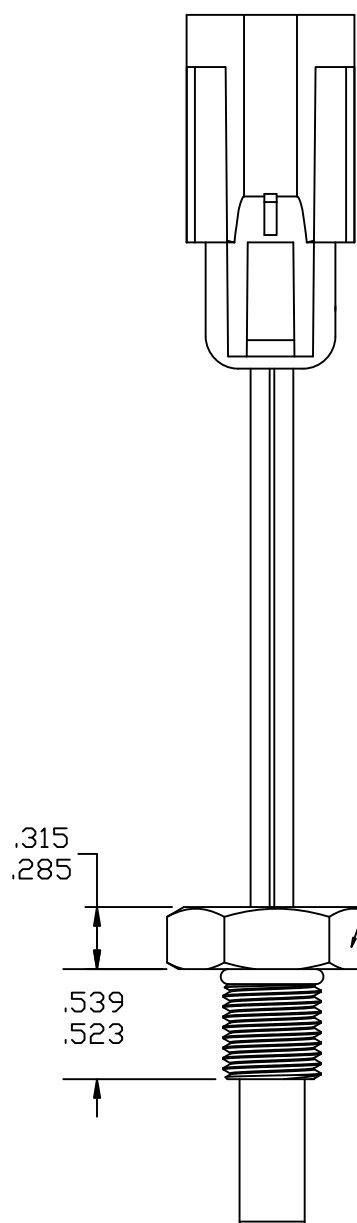
BASIC THERMOSTAT: 3BT TYPE

AWG 18 TEFLON LEAD, BLACK



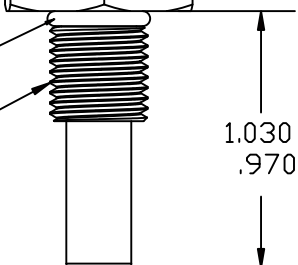
STYCAST EPOXY
SURROUNDING LEADS

CODE KLIXON R MADE IN U.S.A.
AND SENSATA PART NUMBER



VITON (FLUOROCARBON)
O-RING, PARKER SIZE 3-904

M12 X 1.5 THREAD



∅ .320 MAX.

FOR REFERENCE ONLY, CHECK LATEST REVISION BEFORE USE. PARTS MADE TO THIS PRINT MUST CONFORM TO E9898 REV. E		<p>529 PLEASANT STREET P.O. BOX 2964 ATTLEBORO, MA 02703</p>
DRAWN G.LAPATI DATE 08-OCT-2009 ENGINEER S.MARQUIS DATE 08-OCT-2009 APPROVED C.DECOSTA DATE 08-OCT-2009 APPROVED W.BENTLEY DATE 08-OCT-2009	SENSATA TECHNOLOGIES PROPRIETARY AND CONFIDENTIAL. NEITHER THIS PRINT NOR THE INFORMATION CONTAINED HEREON IS TO BE USED AGAINST THE INTERESTS OF SENSATA TECHNOLOGIES OR AGAINST THE INTERESTS OF ANY OF ITS AFFILIATED COMPANIES OR WHOLLY OWNED SUBSIDIARIES. UNLESS OTHERWISE SPECIFIED DIMENSIONS ARE IN INCHES TOLERANCES DECIMALS ANGLES X.XX ±.01 X.X° ±0° 30' X.XXX ±.005 X.XXXX ±.0002 63 MICROINCHES	
DO NOT SCALE DRAWING		TITLE THERMAL SWITCH PACKAGE ENVELOPE DRAWING SIZE B DWG NO. 28514-2-1-1 REV. A SCALE 1:1 AUTOCAD SHEET 1 OF 1

4

3

2

1