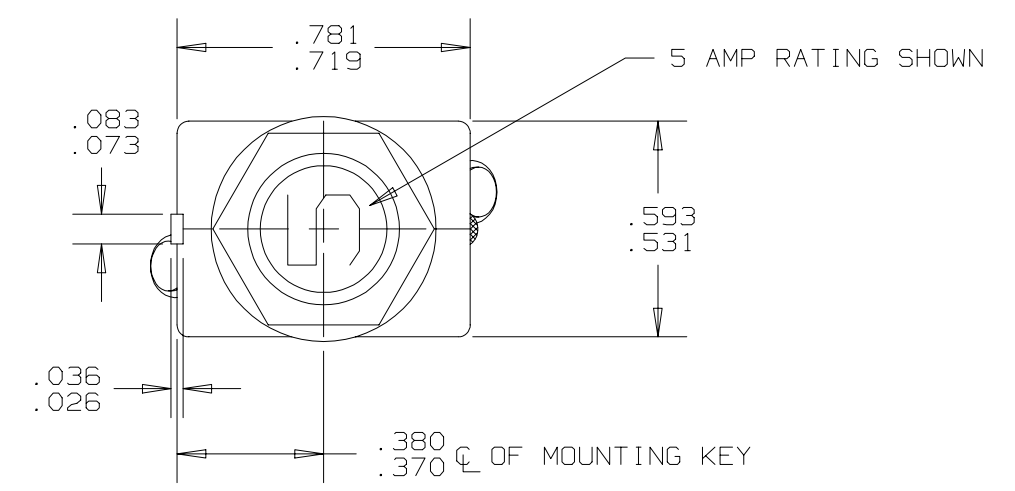


REVISIONS						
ZONE	LTR	2TC2	DESCRIPTION	PROJ. 1041	DATE	APPROVED
	AE	SEE ECN		ECN0017504 PAF	8-19-04	D.A.



- NOTES:
- EPOXY SURFACES ARE NON-DIMENSIONED. ENVELOPE DRAWING DIMENSIONS DO NOT APPLY TO THESE PROJECTED EPOXY SURFACES.
  - TERMINAL AND MOUNTING HARDWARE MAY BE PACKAGED RATHER THAN INSTALLED
  - COUNTRY OF ORIGIN IS SHOWN FOR ILLUSTRATION PURPOSES ONLY. COUNTRY OF ORIGIN TO BE IDENTIFIED AS REQUIRED.
  - DATE CODE PER 10588-285.
  - MARK IN APPROXIMATE POSITION SHOWN WITH BLACK INK PER 12506-70.

PERFORMANCE CHARACTERISTICS

DETAIL PERFORMANCE PER MIL-C-5809G

OVERLOAD CYCLING	-----	100 CYCLES AT 200% RATING
VIBRATION	-----	10 G'S MINIMUM 50-500 HZ
MECHANICAL SHOCK	-----	50 G'S
ACCELERATION	-----	10 G'S
SAND AND DUST	-----	12 HOURS
CORROSION	-----	SALT SPRAY 50 HOURS
HUMIDITY	-----	10 DAYS
EXPLOSION PROOF	-----	WHILE INTERRUPTING RUPTURE CURRENTS

ENDURANCE:	120 VAC	400 HZ INDUCTIVE	2500 CYCLES
	30 VDC	400 HZ RESISTIVE	5000 CYCLES
		INDUCTIVE	2500 CYCLES
		RESISTIVE	5000 CYCLES
		NO LOAD	10000 CYCLES

CALIBRATION:	1 AMP THRU 25 AMP	MIN. ULT. TRIP	MAX. ULT. TRIP	200%	500%	1000%
+25°C.	+77°F	115% RATING	138% RATING	5-20 SEC.	.5-2.0 SEC.	.12-.53 SEC.
-55°C.	-65°F	115% RATING	160% RATING	7-40 SEC.	.6-3.0 SEC.	.16-.8 SEC.
+121°C.	+250°F	100% RATING	138% RATING	3-13 SEC.	.33-1.1 SEC.	.07-.3 SEC.

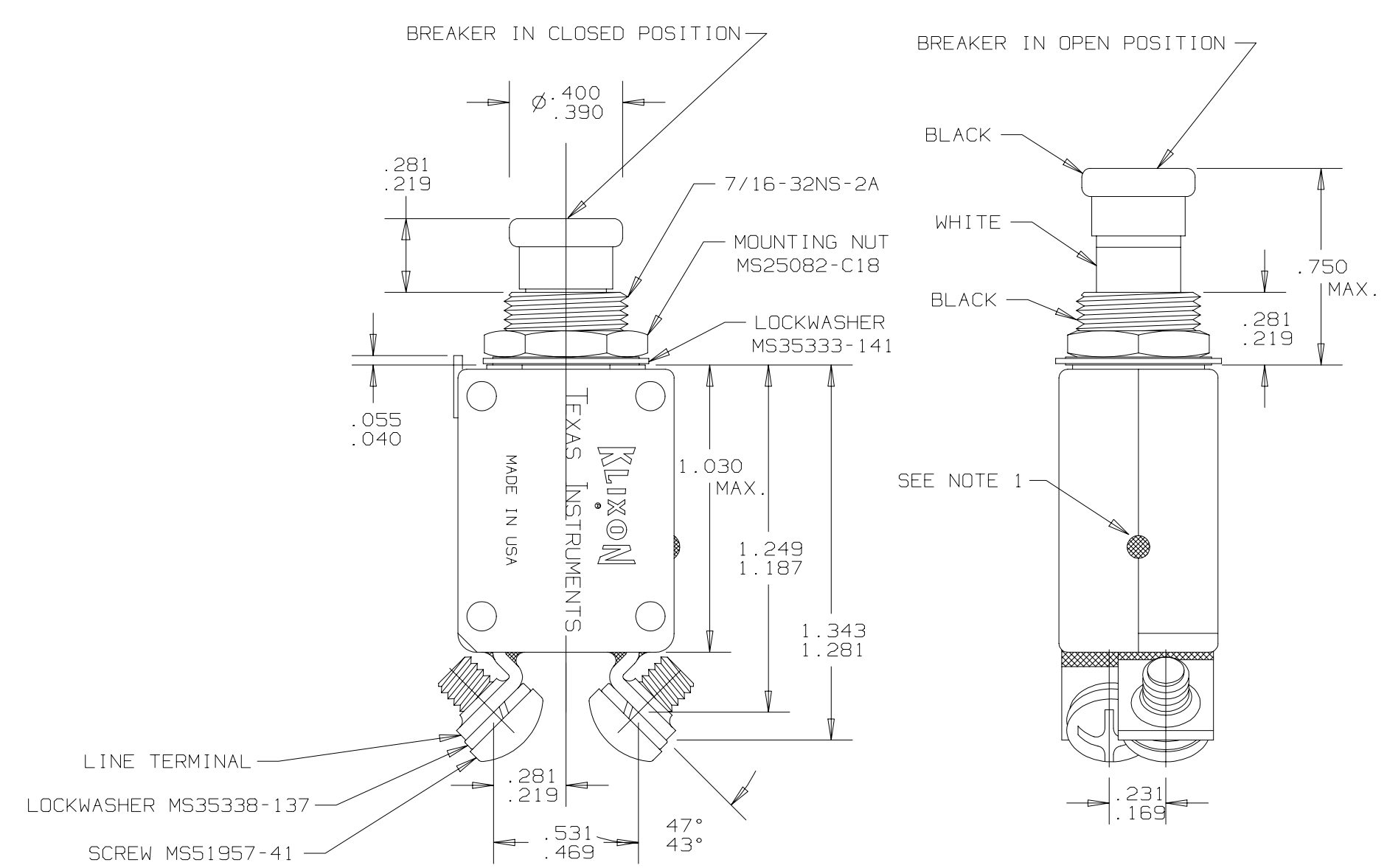
RUPTURE:	1 AMP	120 VAC, 400 HZ	3500 AMPS
	2 AND 2 1/2 AMP	120 VAC, 400 HZ	2800 AMPS
	3 THRU 15 AMP	120 VAC, 400 HZ	2500 AMPS
	20 AMP	120 VAC, 400 HZ	2000 AMPS
	1 THRU 20 AMP	28 VDC	6000 AMPS
	25 AMP	28 VDC	1625 AMPS
	25 AMP	120 VAC, 400 HZ	1800 AMPS

MAXIMUM OPERATING FORCES  
 PULL OUT ----- 5 LBS. MAX. (22.2 N)  
 RESET ----- 5 LBS. MAX. (22.2 N)

OPERATING ALTITUDE: 70,000 FT. (21,000 M)

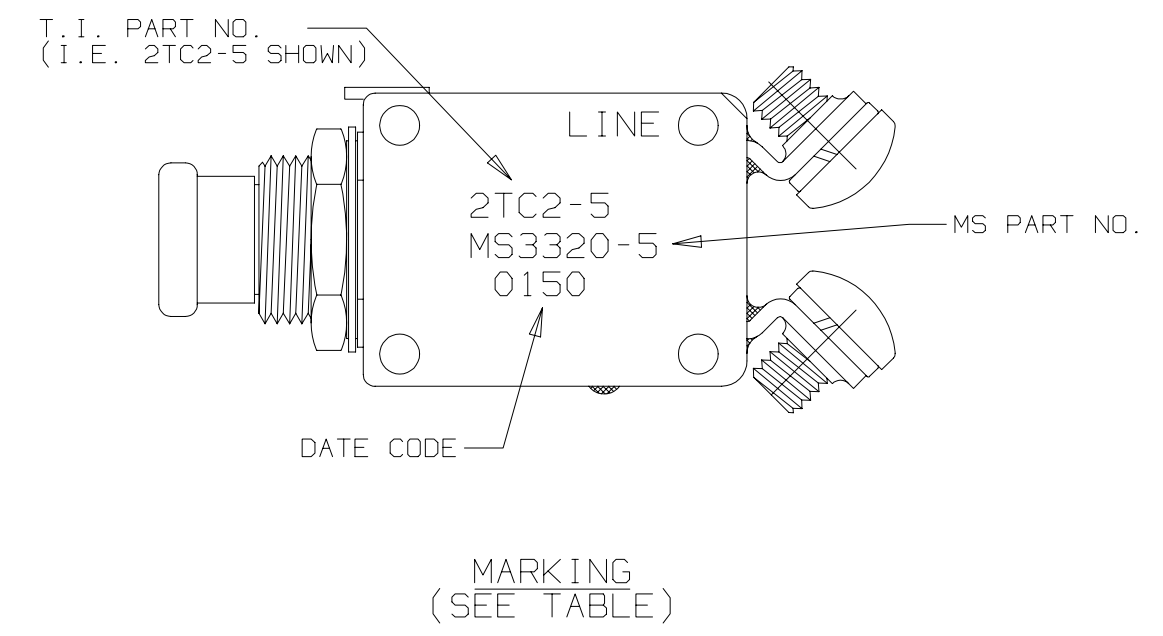
WEIGHT: 25.0 GRAMS MAX.

VOLTAGE DROP:	1 AMP	1.10 VOLTS MAX.
	2 AMP	0.70 VOLTS MAX.
	2.5 AMP	0.50 VOLTS MAX.
	3 AMP	0.40 VOLTS MAX.
	4 AMP	0.37 VOLTS MAX.
	5 AMP	0.35 VOLTS MAX.
	7.5 AMP	0.30 VOLTS MAX.
	10 AMP	0.28 VOLTS MAX.
	15 AMP	0.25 VOLTS MAX.
	20 AMP	0.25 VOLTS MAX.
	25 AMP	0.20 VOLTS MAX.



T.I. PART NO.	MS PART NO.
2TC2-25	N/A
2TC2-20	MS 3320-20
2TC2-15	MS 3320-15
2TC2-10	MS 3320-10
2TC2-7 1/2	MS 3320-7 1/2
2TC2-5	MS 3320-5
2TC2-4	MS 3320-4
2TC2-3	MS 3320-3
2TC2-2 1/2	MS 3320-2 1/2
2TC2-2	MS 3320-2
2TC2-1	MS 3320-1
T.I. PART NO.	MS PART NO.

MARKING TABLE



THIS IS A CAD DRAWING. THE GEOMETRY IN THE ASSOCIATED CAD COMPUTER FILE IS DIMENSIONALLY ACCURATE. WHEN DRAWING IS BEING REVISED, THE GEOMETRY MUST BE UPDATED IN ALL VIEWS AND ON ALL SHEETS.

UNLESS OTHERWISE SPECIFIED DIMENSIONS ARE IN INCHES	DRAWN	DATE	Q3	P2	P18
	TOM DAIL	10-30-89			
TOLERANCE ON FRACTIONS DECIMALS ANGLES	ENGINEER				
	JACQUES CHAMMAS	12-4-89			
	APPROVED				
	N/A				
	APPROVED				
	N/A				
MATERIAL					
	SIGNATURES ON FILE. REFER TO ELECTRONIC CHANGE NOTICE.				

TEXAS INSTRUMENTS  
 ATTLEBORO, MASSACHUSETTS 02703

KLIXON  
 CONTROL PRODUCTS DIVISION

TITLE  
 PART NO. 2TC2  
 AMBIENT COMPENSATED, HIGH TEMP. CIRCUIT BREAKER  
 PUSH-PULL, TRIP FREE  
 ENVELOPE DRAWING

SIZE CODE IDENT NO.  
 C 82647

2TC2

SCALE: 4X SHEET 1 OF 1