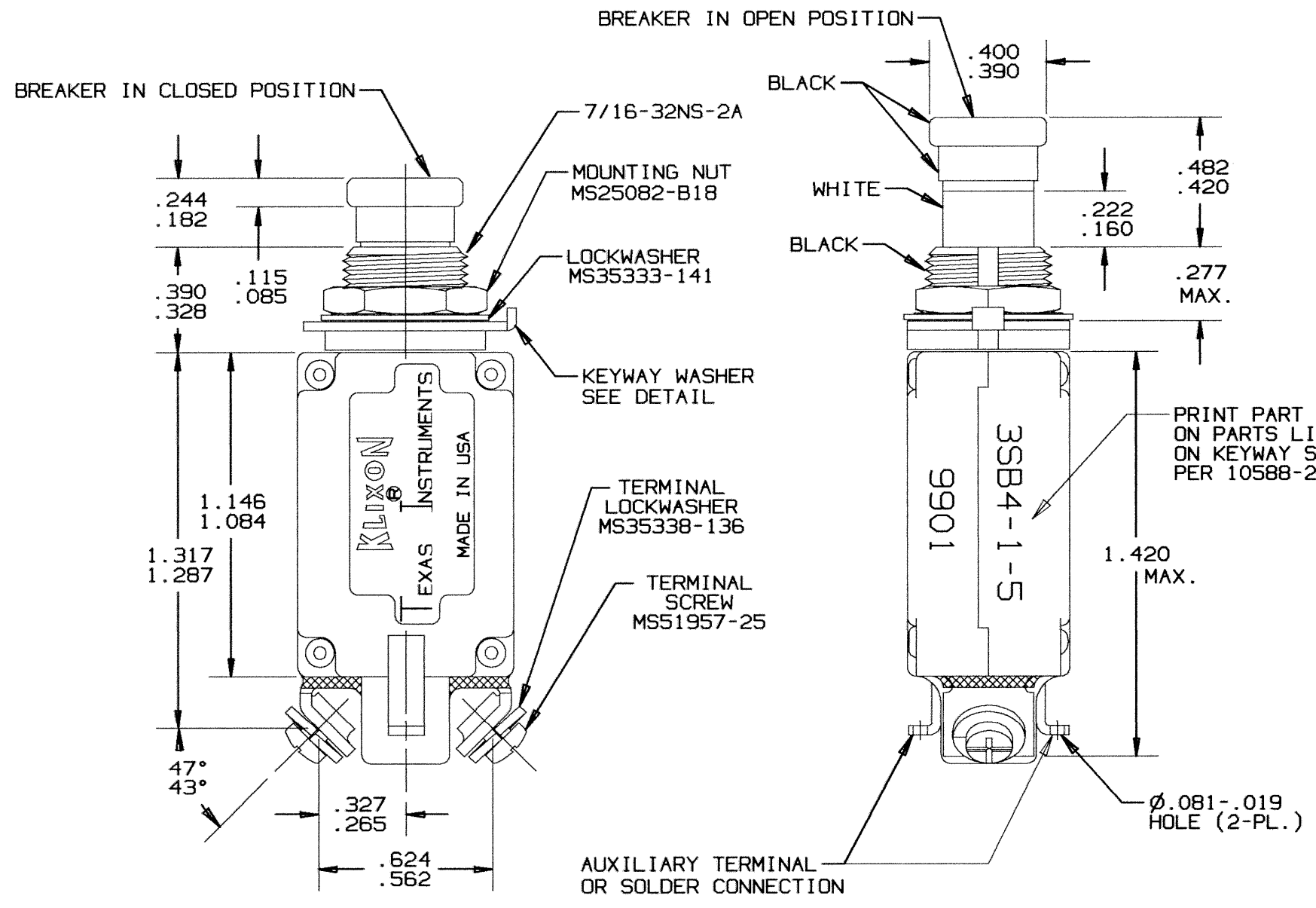
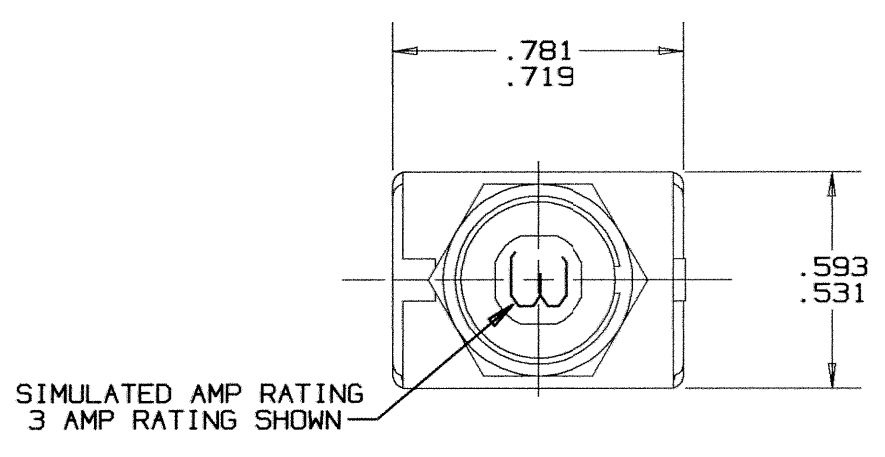
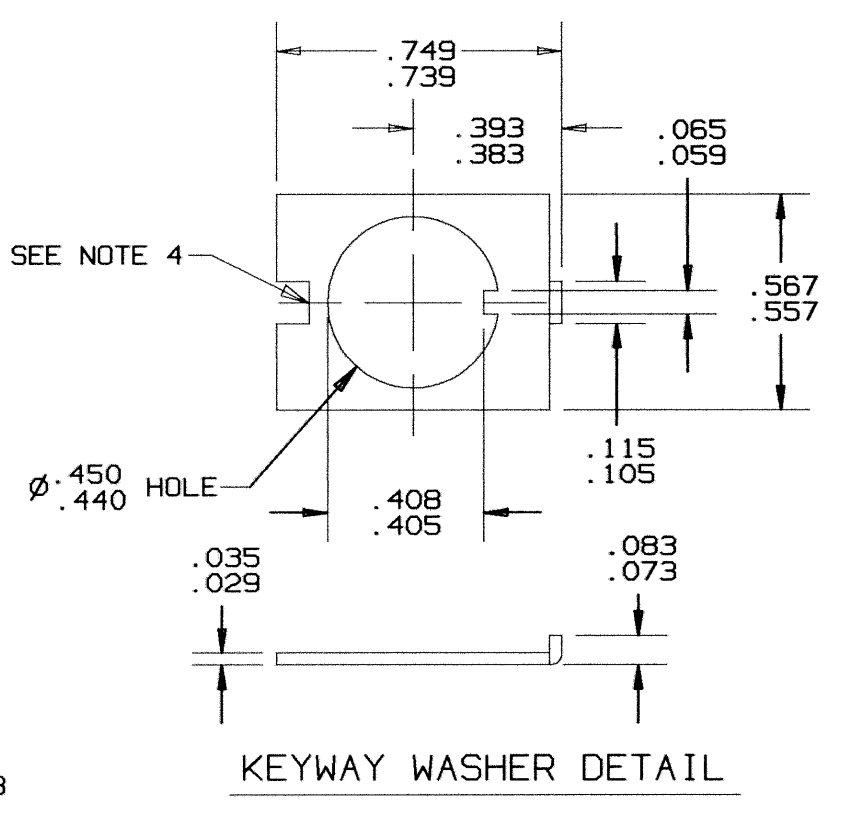
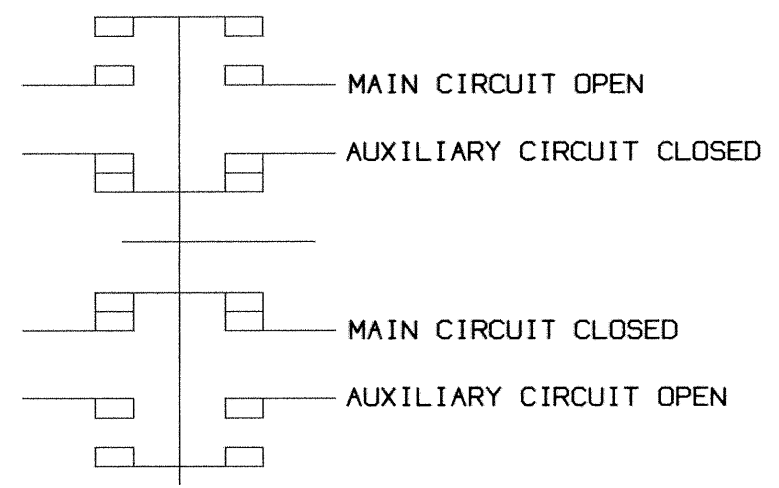


REVISIONS					
ZONE	LTR	DESCRIPTION	PROJ. 3457	DATE	APPROVED
	L	ADDED PART NO. & DATE CODE	CRM46193 D.S.	5/20/99	K.H.S.



**PERFORMANCE CHARACTERISTICS**

VIBRATION	-----	5 G'S MAXIMUM	50-500 HZ
SHOCK	-----	5 G'S MAXIMUM	
ACCELERATION	-----	5 G'S MAXIMUM	
ENDURANCE	-----	5000 MECHANICAL CYCLES, NO LOAD	
		5000 ELECTRICAL TRIP CYCLES AT 28 VDC	
(POST ENDURANCE, MAXIMUM TRIP TIME IS 5 SECONDS)			
OPERATING FORCES	-----	5LBS MAXIMUM, PULLOUT AND RESET	
WEIGHT	-----	30 GRAMS MAXIMUM	

**AUXILIARY CIRCUIT ENDURANCE**

5 - 120 VAC.	INDUCTIVE	2 AMP	5000 CYCLES
	RESISTIVE	3 AMP	5000 CYCLES
5 - 30 VDC.	INDUCTIVE	3 AMP	5000 CYCLES
	RESISTIVE	5 AMP	5000 CYCLES

CUSTOMER WILL SPECIFY THE AMP RATING THEY WOULD LIKE TO HAVE INDICATED ON THE PUSHBUTTON. EXAMPLE, 3SB4-1-5 SIGNIFIES A 5 AMP RATING ON THE PUSHBUTTON. A 3SB4-1-B SIGNIFIES A BLANK RATING INSERT. A 3SB4-1-N SIGNIFIES NO RATING INSERT.

PRINT PART NO. AS SPECIFIED ON PARTS LIST AND DATE CODE ON KEYWAY SIDE OF DEVICE PER 10588-285

CALIBRATION AT 25°C

3SB4-1	200ma	3 SECONDS	
PART NO.	MAX. CURRENT DRAW AT 28 VDC	MAX. TRIP TIME	

SUPERSEDES DWG. 3SB4 REV. "K", DATED 5-20-99

THIS IS A CAD DRAWING. THE GEOMETRY IN THE ASSOCIATED CAD COMPUTER FILE IS DIMENSIONALLY ACCURATE. WHEN DRAWING IS BEING REVISED, THE GEOMETRY MUST BE UPDATED IN ALL VIEWS AND ON ALL SHEETS.

**NOTES:**

1. ALL MOUNTING HARDWARE HAS A DULL BLACK FINISH.
2. CIRCUIT BREAKERS ARE SUITABLE FOR MOUNTING IN A 1/8" THICK PANEL OR LESS.
3. EPOXY SURFACES ARE NON-DIMENSIONED, ENVELOPE DIMENSIONS DO NOT APPLY TO THESE PROJECTED EPOXY SURFACES.
4. NON FUNCTIONAL NOTCH ON THE BACK OF THE KEYWAY WASHER IS OPTIONAL

UNLESS OTHERWISE SPECIFIED DIMENSIONS ARE IN INCHES		DATE	Q13 P18	
DRAWN	CHAS. FLEURANT	6-21-94	 TEXAS INSTRUMENTS ATTLEBORO, MASSACHUSETTS 02703  <b>KLIXON</b> CONTROL PRODUCTS DIVISION	
ENGINEER	K.B. GASSERS	6-21-94		
APPROVED				
MATERIAL			TITLE <b>3SB4 STYLE CIRCUIT BREAKER</b> <b>PUSH-PULL</b> <b>ENVELOPE DRAWING</b>	
			SIZE	CODE IDENT NO.
			C	82647
SIGNATURES ON FILE. REFER TO ELECTRONIC CHANGE NOTICE.			3SB4	