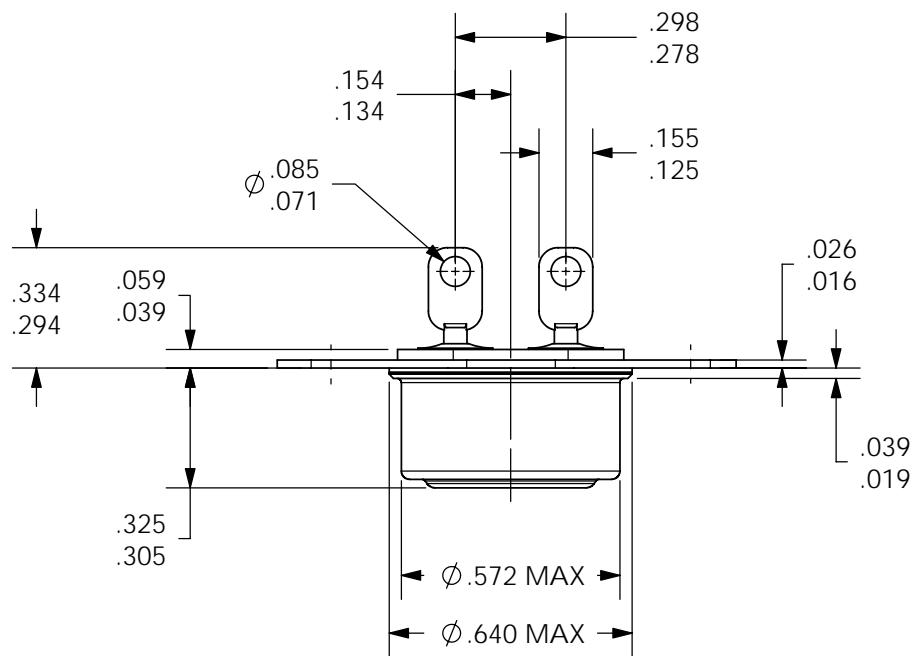
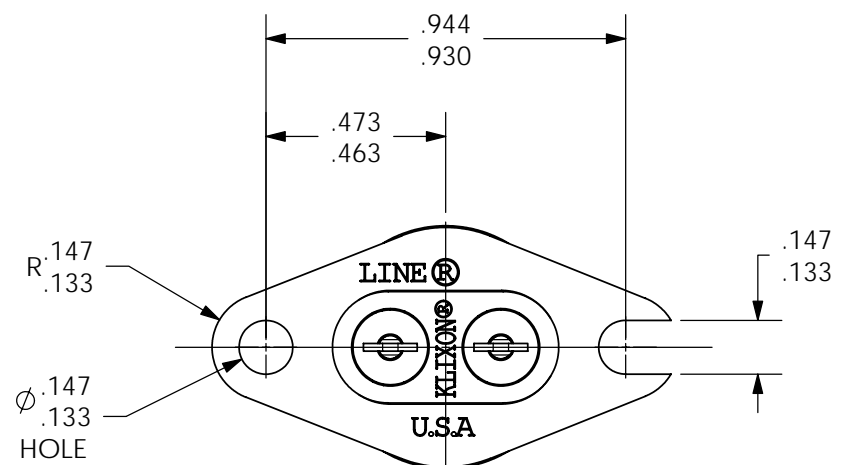
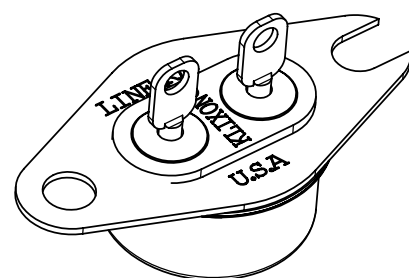
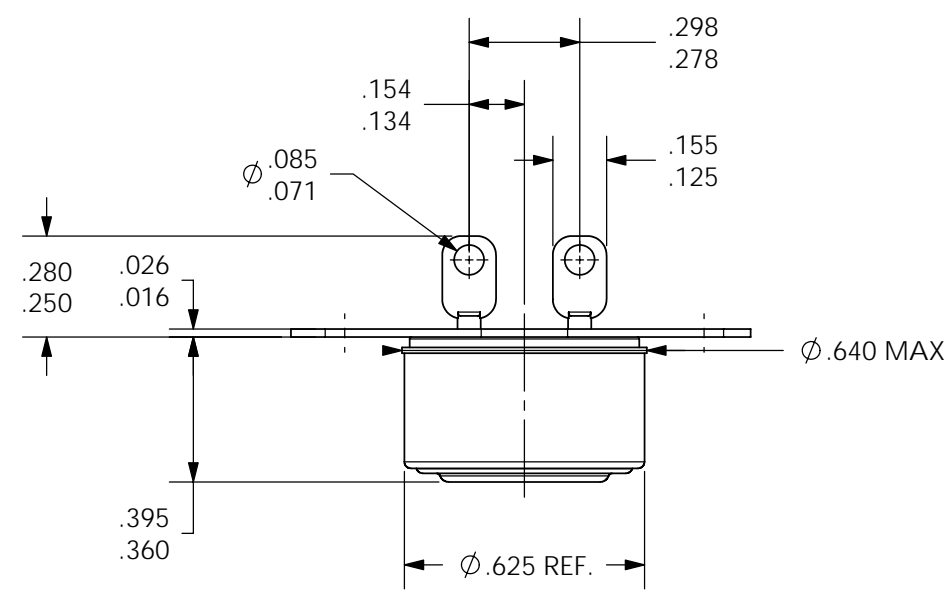
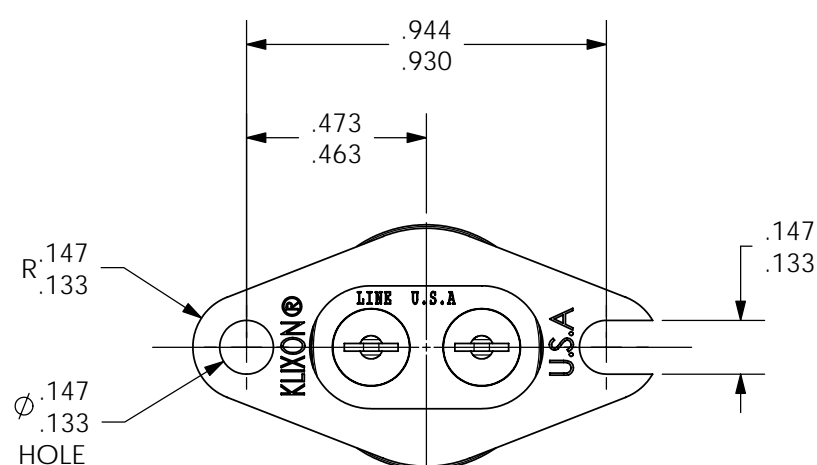
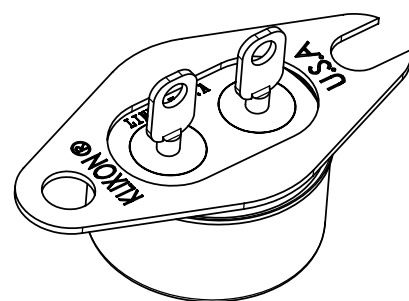


ZONE	REV.	REVISION DESCRIPTION	ECN NO.	DATE
	C	ADDED CONFIGURATION; GML	ECN0031608	12-OCT-2006

CONFIGURATION 1



CONFIGURATION 2



MATERIAL:
 CONFIGURATION 1: COPPER-NICKEL PLATED CARBON STEEL
 CONFIGURATION 2: UNPLATED 304L STAINLESS STEEL

DIELECTRIC STRENGTH:
 TERMINAL TO CASE, 1250VAC, FOR 1 MINUTE

FOR REFERENCE ONLY, CHECK LATEST REVISION BEFORE USE.
 PARTS MADE TO THIS PRINT MUST CONFORM TO E9898 REV. E

DRAWN
 CHAS. FLEURANT
 DATE 7-MAY-1996

ENGINEER
 S.B. MARQUIS
 DATE 7-MAY-1996

APPROVED

DATE

APPROVED

DATE

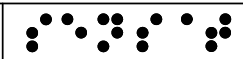
NEITHER THIS PRINT NOR THE INFORMATION
 CONTAINED HEREON IS TO BE USED AGAINST THE
 INTERESTS OF SENSATA TECHNOLOGIES OR
 AGAINST THE INTERESTS OF ANY OF ITS AFFILIATED
 COMPANIES OR WHOLLY OWNED SUBSIDIARIES

UNLESS OTHERWISE SPECIFIED
 DIMENSIONS ARE IN INCHES
 TOLERANCES
 DECIMALS ANGLES

THIRD ANGLE
 PROJECTION

DO NOT SCALE DRAWING

SIZE
 B



**Sensata
 Technologies**

529 PLEASANT STREET
 P.O. BOX 2964
 ATTLEBORO, MA 02703

TITLE
 4344-145 THERMOSTAT
 SPST AUTO, RESET SEALED
 ENVELOPE DRAWING

DWG NO.

4344-145

REV.

C

SCALE 2:1 SOLIDWORKS SHEET 1 OF 1

DEVICE: 4344-145 PROJECT: 256A