

5

4

3

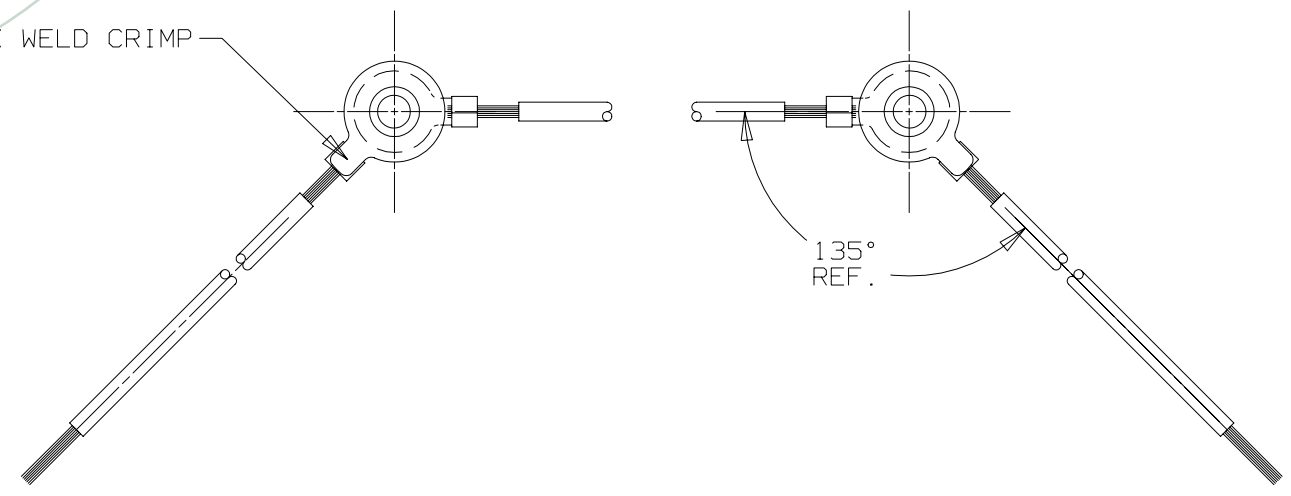
2

1

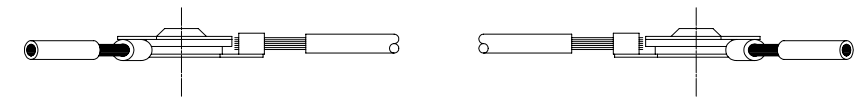
Property of
Sensata Technologies

REVISIONS					
ZONE	LTR	DESCRIPTION	PROJ.# 1013	DATE	APPROVED
	A	1ST ISSUE	CRM36121, CFF	8-25-97	S.B.M.

4X WELD CRIMP

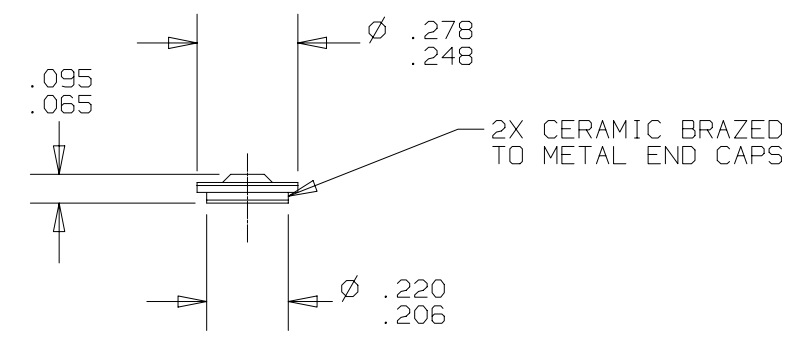


135°
REF.



PART NO.: 4BTL13-*-* Δ
4BTF13-*-* Δ

- "L" DESIGNATES OPEN ON TEMPERATURE RISE
- "F" DESIGNATES CLOSE ON TEMPERATURE RISE
- * - WHEN CUSTOMER'S TEMPERATURE CHARACTERISTICS ARE ESTABLISHED, A DASH NUMBER WILL BE ASSIGNED.
- Δ - A SECOND DASH NUMBER WILL DESIGNATE THE WIRE LEADS ASSIGNED TO THE PART NUMBER.



									Q4	P17	P1
UNLESS OTHERWISE SPECIFIED DIMENSIONS ARE IN INCHES			DRAWN CHAS. FLEURANT		DATE 8-25-97		TEXAS INSTRUMENTS ATLEBORO, MASSACHUSETTS 02703			KLIXON CONTROL PRODUCTS DIVISION	
TOLERANCES ON FRACTIONS DECIMALS ANGLES			ENGINEER S.B. MARQUIS		8-25-97		TITLE 4BT13 THERMOSTAT SPST AUTO-RESET SEALED ENVELOPE DRAWING				
MATERIAL			APPROVED D.R. PETRIE		8-25-97						
			APPROVED G. FIELD		8-25-97		SIZE B		CODE IDENT NO. 82647		4BT13
SIGNATURES ON FILE. REFER TO ELECTRONIC CHANGE NOTICE.											