

5

4

3

2

1

REVISIONS

ZONE	LTR	DESCRIPTION	DATE	APPROVED
-	-	1ST. ISSUE FOR 5BT5 C.R.29483 R.C.	12-18-69	<i>[Signature]</i>
-	-	INCREASED FLATTENED PORTION OF TERMINALS C.R. 198	J.D.M. 11-10-71	<i>[Signature]</i>
C5, C3	B	Φ.147/.133 SLOT WAS .147/.137 CRM14080 D.R.	7-2-93	<i>[Signature]</i>
A5	C	DIM. 303-.241 WAS .285 CRM22648 R.J.M.	4-21-95	<i>[Signature]</i>
-	D	ADDED OR 1500 VRMS, 60 CPS FOR 5 SEC. TO DIELECTRIC CRM35509 R.I.M.	9-9-97	<i>[Signature]</i>

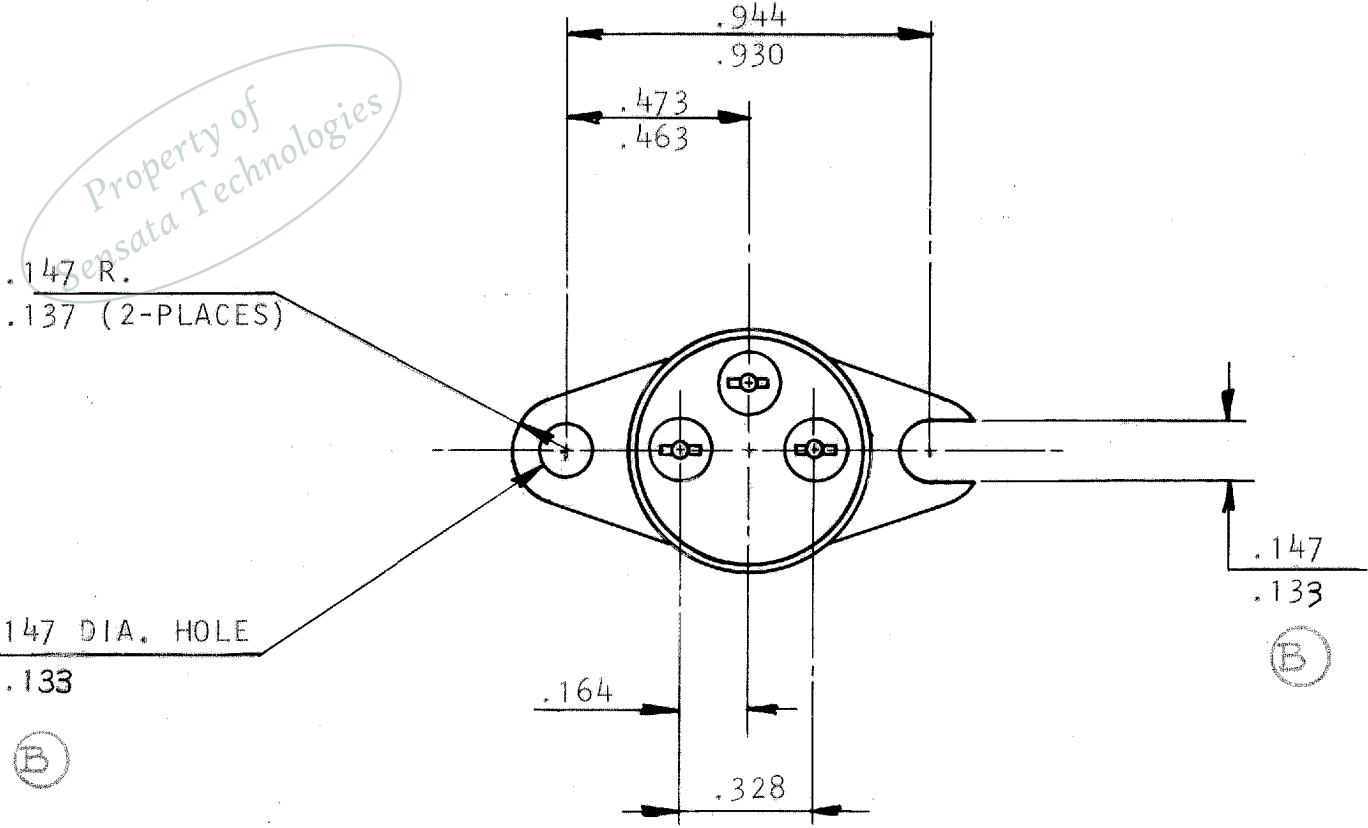
Property of
Sensata Technologies

D

C

B

A



PART NO. 5BT-5*

SWITCH ACTION

SPDT			
TERMINALS 1 & 2	OPEN	AT	°F
TERMINALS 2 & 3	CLOSE		
TERMINALS 1 & 2	CLOSE	AT	°F
TERMINALS 2 & 3	OPEN		

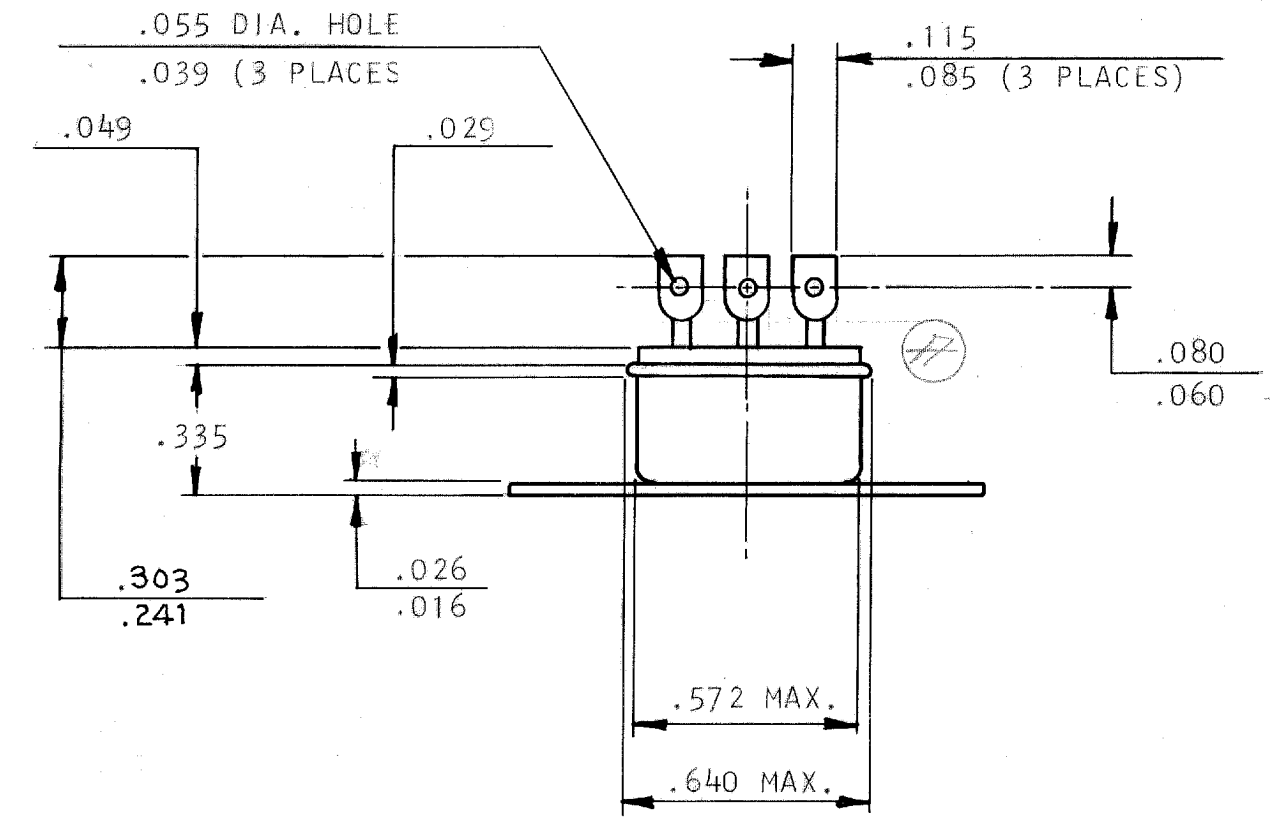
FINISH
AMBIENT EXPOSURE RANGE: -65°F TO +450°F

DIELECTRIC STRENGTH: 1250 VRMS, 60 CPS FOR 1 MINUTE OR 1500 VRMS, 60 CPS FOR 5 SECONDS TERMINAL TO CASE.

WEIGHT: 7 GRAMS

CONTACT RATING: 28 VDC/115 VAC, 3 AMP

*WHEN CUSTOMERS TEMPERATURE CHARACTERISTICS ARE ESTABLISHED A DASH NO. WILL BE ASSIGNED, THEREBY COMPLETING THE PART NO.



UNLESS OTHERWISE SPECIFIED DIMENSIONS ARE IN INCHES		BY R. CHAMPAGNE	DATE 12-18-69	TEXAS INSTRUMENTS INCORPORATED ATLEBORO, MASSACHUSETTS, U.S.A.	KLIXON CONTROL PRODUCTS DIVISION
TOLERANCE ON FRACTIONS DECIMALS ANGLES ± .031		CH.	ENG. <i>[Signature]</i>		
MATERIAL		APPROVED	DATE 12-31-69	TITLE 5BT-5 THERMOSTAT SPDT AUTO. RESET 1/2" ENVELOPE DRAWING	
				SIZE B	CODE IDENT NO. 82647
				5BT-5	
				SCALE 2:1	SHEET 1 OF 1