

5

4

3

2

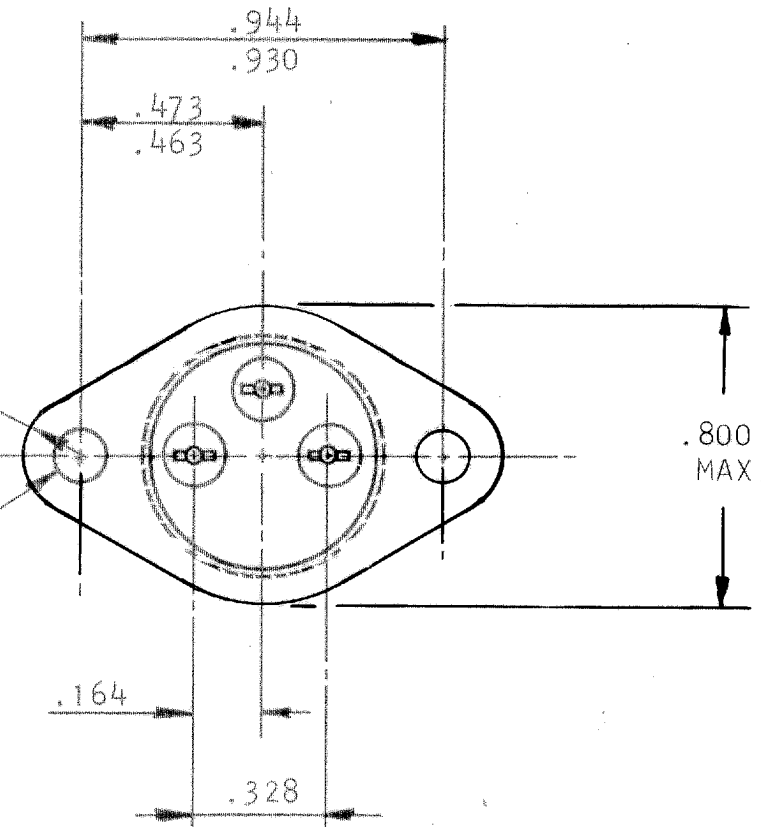
1

Property of
Anasata Technologies

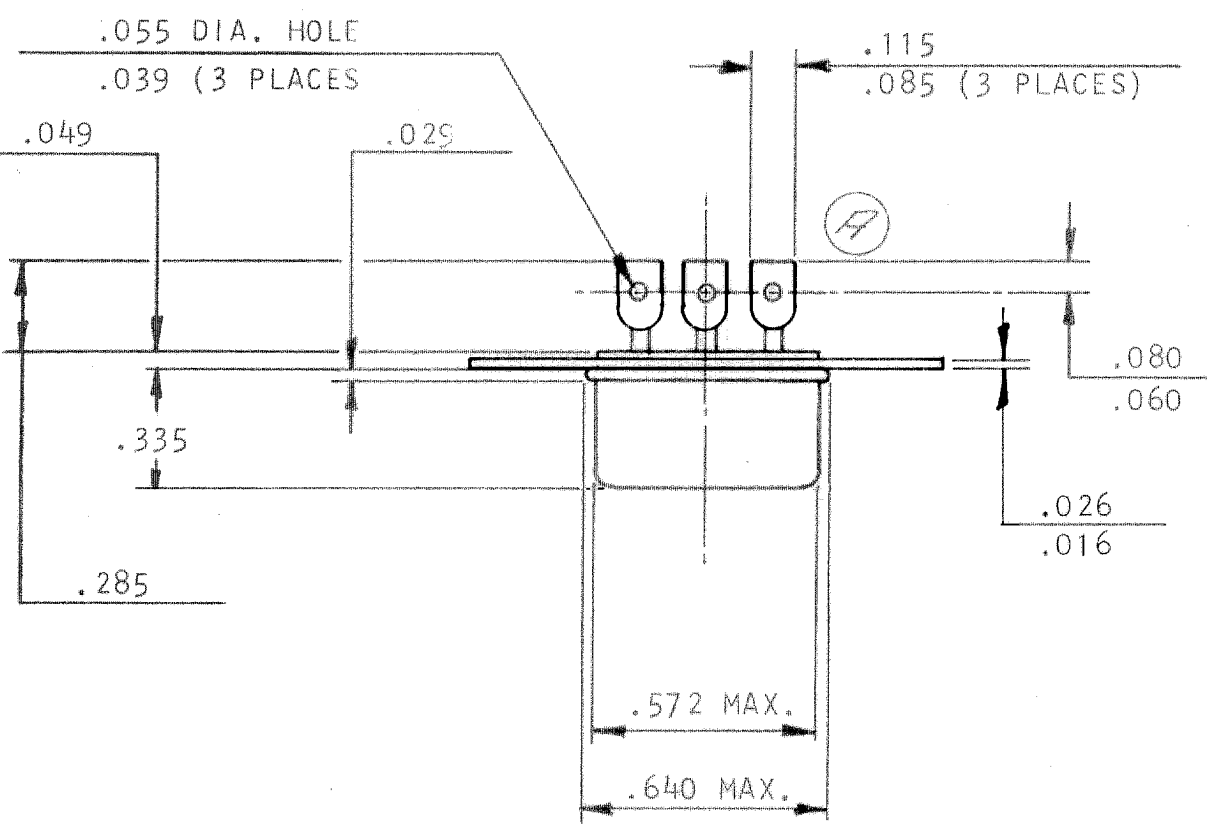
.124 R.
.110 (2-PLACES)

(B1)

.145 DIA. HOLE
.135 (2-PLACES)



(B2)



REVISIONS				
ZONE	LTR	DESCRIPTION	DATE	APPROVED
-		1ST. ISSUE CR29896	J.D.M. 1-28-70	JDM
-	A	INCREASED FLATTENED PORTION OF TERMINALS CR4648	J.D.M. 1/10/71	JDM
-	B	SEE C.U. CR47814	5-16-72	BP
-	C	ADDED OR 1500 VRMS, 60 CPS FOR 5 SEC. TO DIELECTRIC CRM35504	RJM 9-9-97	RJM

PART NO. 5BT-6*

SWITCH ACTION

SPDT
 TERMINALS 1 & 2 OPEN AT °F.
 TERMINALS 2 & 3 CLOSE AT °F.
 TERMINALS 1 & 2 CLOSE AT °F.
 TERMINALS 2 & 3 OPEN AT °F.

FINISH
AMBIENT EXPOSURE RANGE: -65°F TO +450°F

DIELECTRIC STRENGTH: 1250 VRMS, 60 CPS FOR 1 MINUTE OR 1500 VRMS, 60 CPS FOR 5 SECONDS TERMINAL TO CASE.

WEIGHT: 7 GRAMS

CONTACT RATING: 28 VDC/115 VAC, 3 AMP

*WHEN CUSTOMERS TEMPERATURE CHARACTERISTICS ARE ESTABLISHED A DASH NO. WILL BE ASSIGNED, THEREBY COMPLETING THE PART NO.

UNLESS OTHERWISE SPECIFIED DIMENSIONS ARE IN INCHES		BY J.D.MAYALL	DATE 1-28-70	TEXAS INSTRUMENTS INCORPORATED ATTLEBORO, MASSACHUSETTS, U.S.A.		KLIXON CONTROL PRODUCTS DIVISION
TOLERANCE ON FRACTIONS DECIMALS ANGLES ±.031		CH.		TITLE 5BT-6 THERMOSTAT SPDT AUTO. RESET 1/2" ENVELOPE DRAWING		
MATERIAL		ENGR J. Roberts	DATE 1-29-70	APPROVED	SIZE B	CODE IDENT NO. 82647
				SCALE 2:1		SHEET 1 OF 1