

4

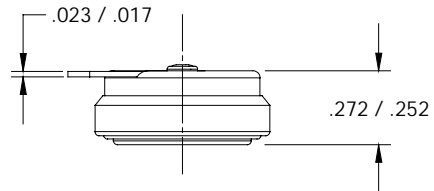
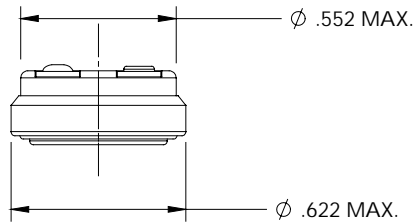
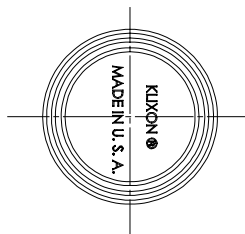
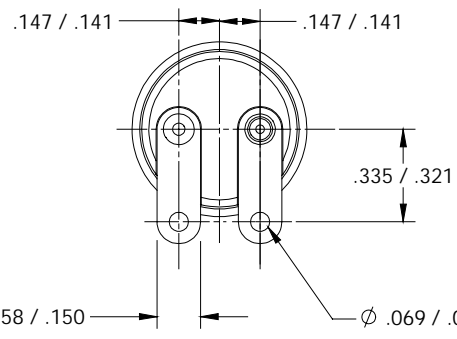
3

2

1

REVISIONS

ZONE	LTR	DESCRIPTION	DATE	APPROVED



THIS IS A CAD DRAWING. THE GEOMETRY IN THE ASSOCIATED CAD COMPUTER FILE IS DIMENSIONALLY ACCURATE. WHEN DRAWING IS BEING REVISED, THE GEOMETRY MUST BE UPDATED IN ALL VIEWS AND ON ALL SHEETS.

UNLESS OTHERWISE SPECIFIED DIMENSIONS ARE IN INCHES	DRAWN S. MARQUIS	DATE 3/25/02	TEXAS INSTRUMENTS ATILEBORO MA 02705		 CONTROL PRODUCTS DIVISION
TOLERANCES ON FRACTIONS AND ANGLES	APPROVED		TITLE THERMOSTAT SWITCH ENVELOPE DRAWING		
MATERIAL	APPROVED		SIZE B	CODE IDENT NO. 82647	6786-1 STYLE
SIGNATURES ON FILE. REFER TO ELECTRONIC CHANGE NOTICE.			SCALE	SHEET	

NEITHER THIS PRINT NOR THE INFORMATION CONTAINED THEREON IS TO BE USED AGAINST THE INTEREST OF TEXAS INSTRUMENTS, INC. OR AGAINST THE INTERESTS OF ANY OF ITS AFFILIATED COMPANIES OR WHOLLY OWNED SUBSIDIARIES.

FOR REFERENCE ONLY CONSULT TEXAS INSTRUMENTS CUSTOMER SERVICE FOR LATEST REVISION BEFORE USE

4

3

2

1