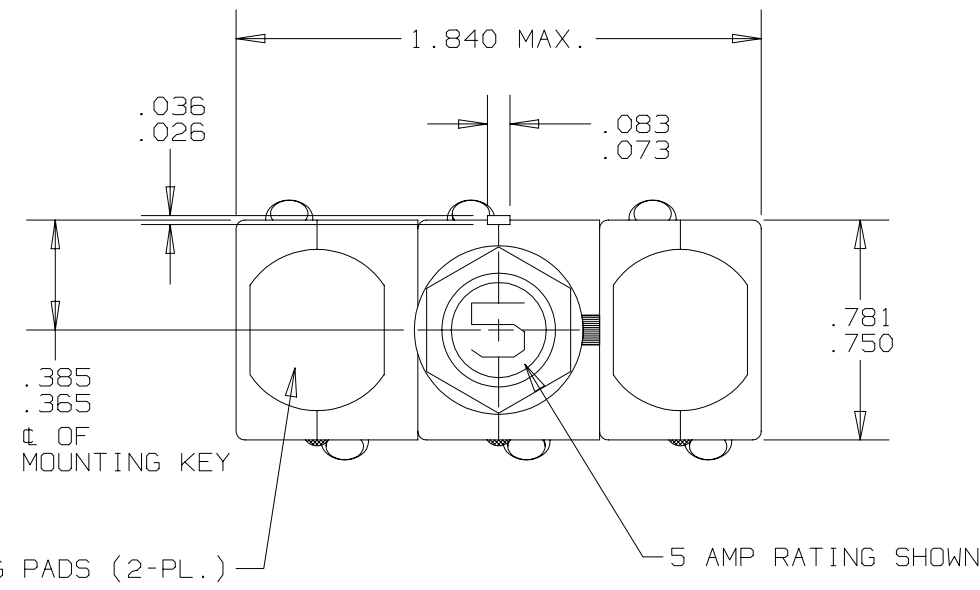


REVISIONS					
ZONE	LTR	DESCRIPTION	1112	DATE	APPROVED
	B	MODIFIED PRINT PER MARK-UP	ECN0025546 GML	12-20-05	D.M.



PERFORMANCE CHARACTERISTICS

DETAIL PERFORMANCE PER MIL-C-5809 AND MS14154 "V"

OVERLOAD CYCLING	-----	100 CYCLES AT 200% RATING
VIBRATION	-----	10 G'S CONDITION "C" 55-2000 Hz AND 15 G'S CONDITION "B" 10-2000 Hz
MECHANICAL SHOCK	-----	50 G'S
ACCELERATION	-----	10 G'S
SAND AND DUST	-----	12 HOURS
CORROSION	-----	SALT SPRAY 50 HOURS
HUMIDITY	-----	10 DAYS
EXPLOSION PROOF	-----	WHILE INTERRUPTING RUPTURE CURRENTS

ENDURANCE:	120 VAC	400 HZ INDUCTIVE	2500 CYCLES
		400 HZ RESISTIVE	5000 CYCLES
		NO LOAD	5000 CYCLES

SINGLE * OR THREE PHASE CALIBRATION:	2 AMP THRU 20 AMP				
	MIN. ULT. TRIP	MAX. ULT. TRIP	200%	500%	1000%
+25°C, +77°F	110% RATING	145% RATING	4-20 SEC.	.40-2.0 SEC.	.10-.53 SEC.
-55°C, -65°F	110% RATING	165% RATING	6-40 SEC.	.55-3.5 SEC.	.15-.80 SEC.
+71°C, +160°F	100% RATING	145% RATING	3-20 SEC.	.33-1.7 SEC.	.08-.40 SEC.

RUPTURE:	2 AMP THRU 20 AMP	120 VAC, 400 HZ	2000 AMPS
----------	-------------------	-----------------	-----------

MAXIMUM OPERATING FORCES			
PULL OUT	-----	12 LBS. MAX.	(53.4 N)
RESET	-----	12 LBS. MAX.	(53.4 N)

OPERATING ALTITUDE: 70,000 FT. (21,000 M)

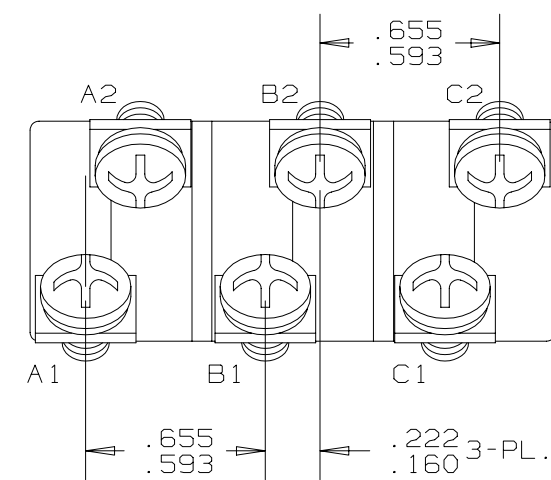
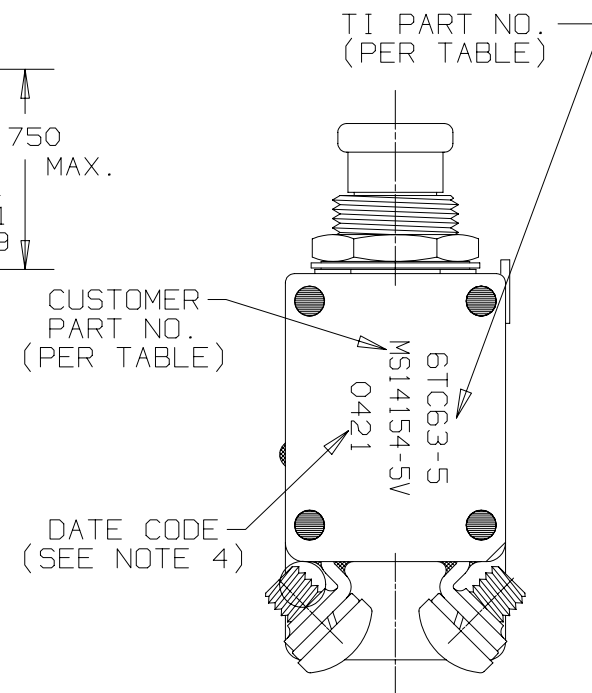
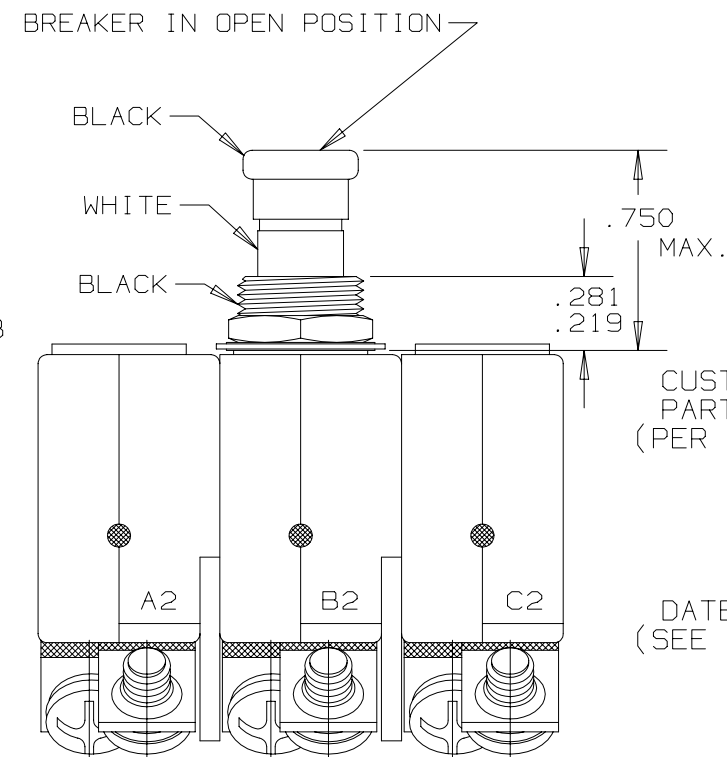
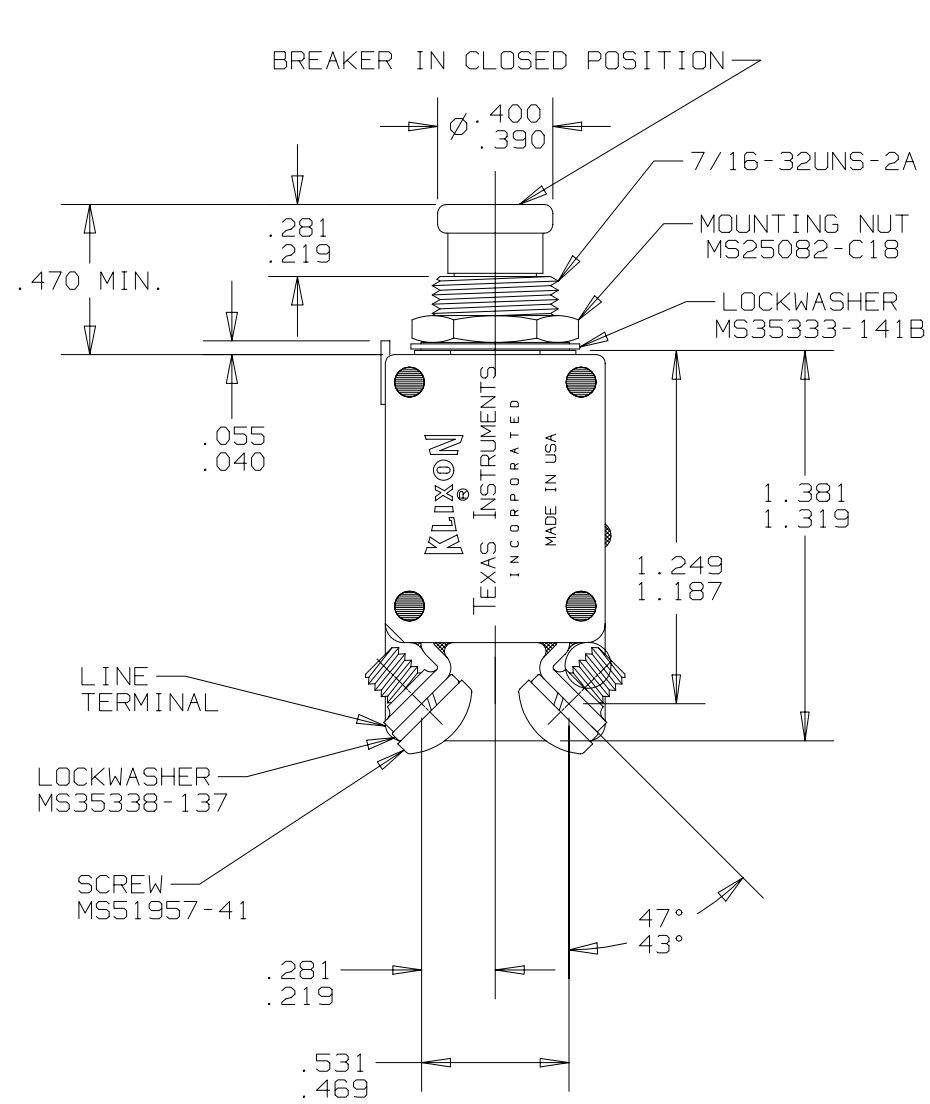
WEIGHT: 65.0 GRAMS MAX. (.143 LBS.)

VOLTAGE DROP:		
2 AMP	-----	0.70 VOLTS MAX.
2.5 AMP	-----	0.50 VOLTS MAX.
3 AMP	-----	0.40 VOLTS MAX.
4 AMP	-----	0.37 VOLTS MAX.
5 AMP	-----	0.35 VOLTS MAX.
7.5 AMP	-----	.192 VOLTS MAX.
10 AMP	-----	.176 VOLTS MAX.
12 AMP	-----	.211 VOLTS MAX.
15 AMP	-----	.176 VOLTS MAX.
20 AMP	-----	.176 VOLTS MAX.

* SINGLE PHASE MAXIMUM ULTIMATE TRIP VALUES APPLY WITH OTHER TWO PHASES CARRYING 100% OF RATED CURRENT

NOTES:

- EPOXY SURFACES ARE NON-DIMENSIONED. ENVELOPE DRAWING DIMENSIONS DO NOT APPLY TO THESE PROJECTED EPOXY SURFACES.
- TERMINAL AND MOUNTING HARDWARE MAY BE PACKAGED RATHER THAN INSTALLED.
- COUNTRY OF ORIGIN IS SHOWN FOR ILLUSTRATION PURPOSES ONLY. COUNTRY OF ORIGIN TO BE IDENTIFIED AS REQUIRED.
- DATE CODE PER 10588-285.
- ALL MARKINGS TO BE MADE IN APPROXIMATE POSITIONS SHOWN WITH BLACK INK PER 12506-70. 3/32 HIGH CHARACTERS.



TI PART NO.	CUSTOMER PART NO.
6TC63-20	MS14154-20V
6TC63-15	MS14154-15V
6TC63-10	MS14154-10V
6TC63-7 1/2	MS14154-7 1/2V
6TC63-5	MS14154-5V
6TC63-4	MS14154-4V
6TC63-3	MS14154-3V
6TC63-2 1/2	MS14154-2 1/2V
6TC63-2	MS14154-2V

UNLESS OTHERWISE SPECIFIED DIMENSIONS ARE IN INCHES		DRAWN JM	DATE 02-12-95	TEXAS INSTRUMENTS ATTLEBORO, MASSACHUSETTS 02703	KLAXON CONTROL PRODUCTS DIVISION
TOLERANCE ON FRACTIONS DECIMALS ANGLES		ENGINEER M.A. VIDAL	DATE 02-12-95		
MATERIAL		APPROVED		TITLE PART NO: 6TC63 AMBIENT COMPENSATED CIRCUIT BREAKER PUSH-PULL, TRIP FREE ENVELOPE DRAWING	
		APPROVED		SIZE	CODE IDENT NO.
		SIGNATURES ON FILE. REFER TO ELECTRONIC CHANGE NOTICE.		C	82647
				SCALE: 4X	SHEET 1 OF 1