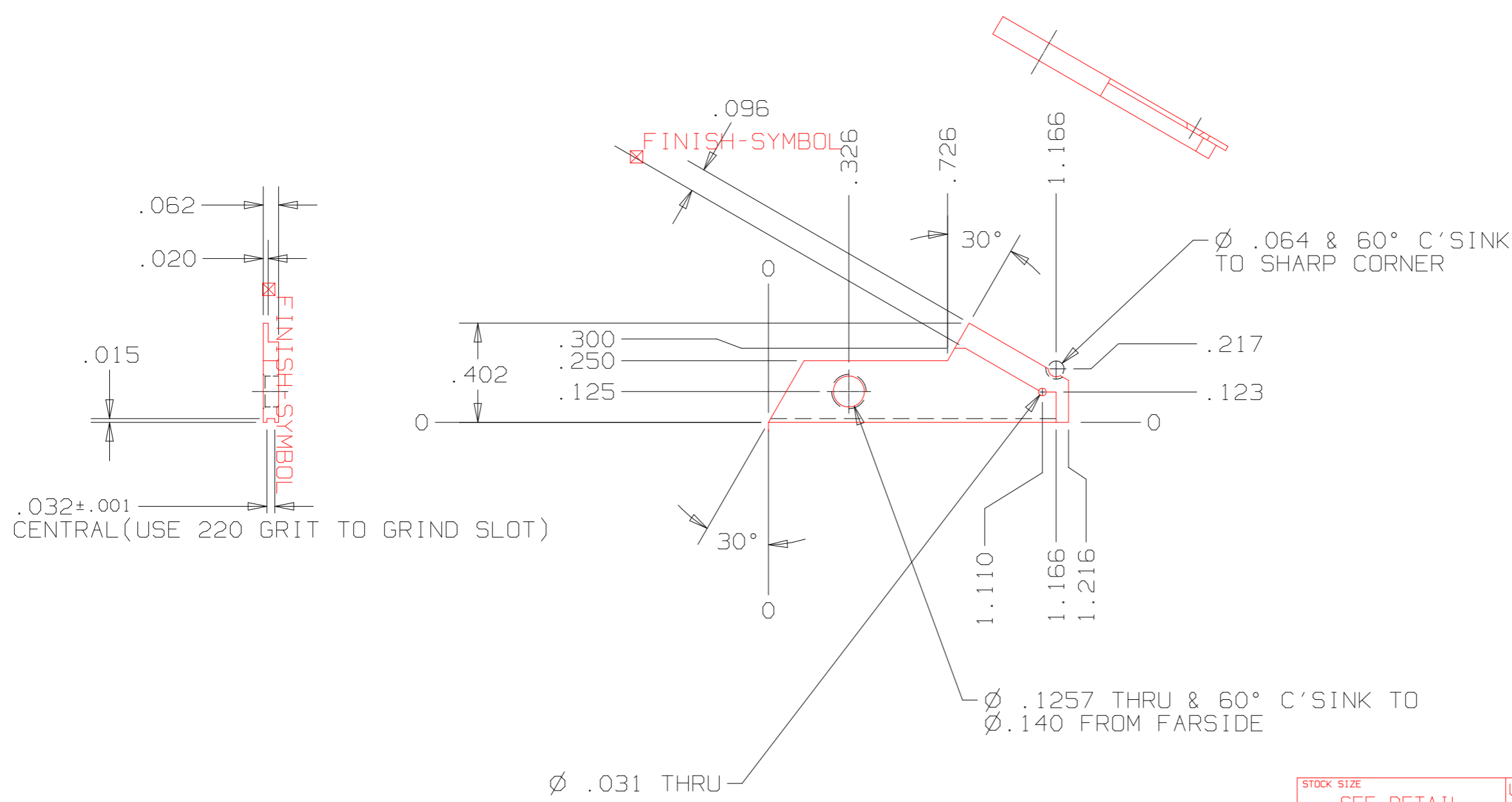



DRAWING NO.			
B 7235-2			
LTR.	REVISIONS	BY	DATE
-	-	-	-



STOCK SIZE SEE DETAIL		USED ON 1" MP	NEXT ASSY -
MATERIAL A2		 TEXAS INSTRUMENTS ATTLEBORO, MASSACHUSETTS 02703	
HEAT TREATMENT RC 40-45			
TOLERANCE UNLESS OTHERWISE SPECIFIED XX±.01 XXX±.005 XXXX±.0002 ANGULAR±1° REMOVE ALL SHARP EDGES		NO. REQ'D. 1	TITLE FINGER RH
FINISH FL CHROME			
APPD.	DATE	DRAWN MUTT	DATE 12/5/00
SCALE 2X		CH'KD	DATE
		DRAWING NO. B 7235-2	SHEET -

PLOT REQUESTED BY: