

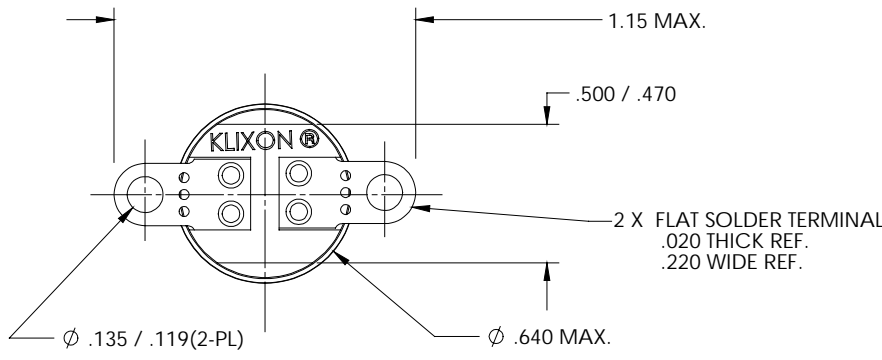
4

3

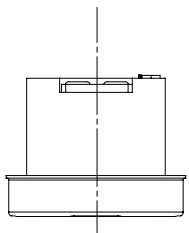
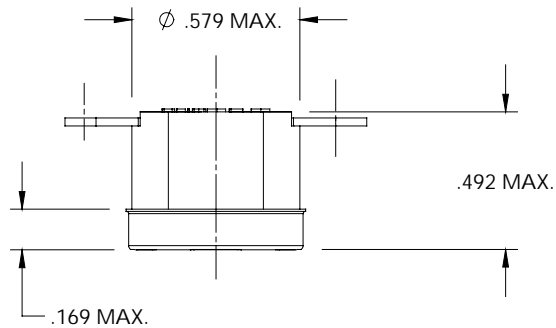
2

1

REVISIONS				
ZONE	LTR	DESCRIPTION	DATE	APPROVED



CHARACTERISTICS  
 PART NO. 7BT2L2A-\*  
 7BT2F2A-\*  
 \*L\* DESIGNATES OPEN ON TEMPERATURE RISE  
 \*F\* DESIGNATES CLOSE ON TEMPERATURE RISE  
 \* WHEN CUSTOMER'S TEMPERATURE CHARACTERISTICS  
 ARE ESTABLISHED, A DASH NO. WILL BE ASSIGNED,  
 THEREBY COMPLETING THE PART NO.



UNLESS OTHERWISE SPECIFIED DIMENSIONS ARE IN INCHES				
TOLERANCES ON FRACTIONS AND ANGLES				
DRAWN S. MARQUIS		DATE 3/25/02		<b>TEXAS INSTRUMENTS</b> AUSTIN, TEXAS CONTROL PRODUCTS DIVISION
ENGINEER		APPROVED		
MATERIAL		APPROVED		TITLE <b>THERMOSTAT SWITCH ENVELOPE DRAWING</b>
SIGNATURES ON FILE. REFER TO ELECTRONIC CHANGE NOTICE.		SIZE B	CODE IDENT NO. 82647	7BT2-2A STYLE
SCALE			SHEET	

NEITHER THIS PRINT NOR THE INFORMATION CONTAINED THEREON IS TO BE USED AGAINST THE INTEREST OF TEXAS INSTRUMENTS, INC. OR AGAINST THE INTERESTS OF ANY OF ITS AFFILIATED COMPANIES OR WHOLLY OWNED SUBSIDIARIES.

FOR REFERENCE ONLY CONSULT TEXAS INSTRUMENTS CUSTOMER SERVICE FOR LATEST REVISION BEFORE USE

4

3

2

1