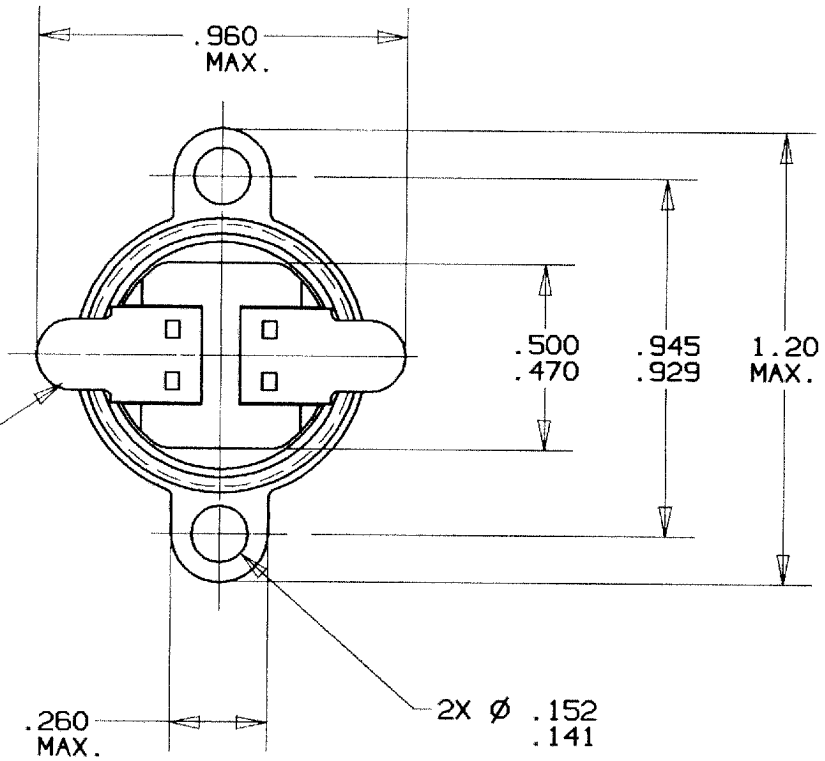


Property of
Sensata Technologies

REVISIONS						
ZONE	LTR	DEV. #	DESCRIPTION	PROJ. #	DATE	APPROVED
	A	7BT2	1 ST ISSUE	3190	12/09/98	S.B.M.
				ECN#M43059 MF		

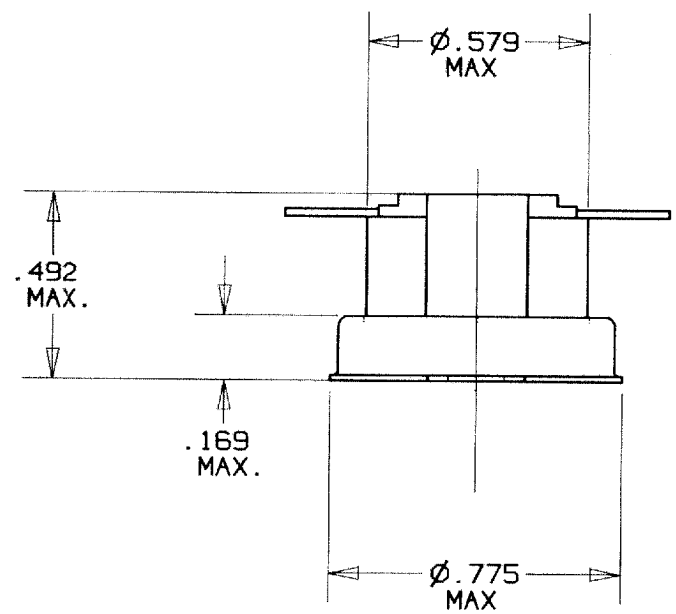


2X FLAT WELD TERMINAL
.028 THICK REF.
.172 WIDE REF.

PART NO.: 7BT2L3C-*
7BT2F3C-*

L DESIGNATES OPEN ON TEMPERATURE RISE.
F DESIGNATES CLOSE ON TEMPERATURE RISE.

*WHEN CUSTOMERS TEMPERATURE CHARACTERISTICS ARE ESTABLISHED A DASH NO. WILL BE ASSIGNED, THEREBY COMPLETING THE PART NO.



UNLESS OTHERWISE SPECIFIED DIMENSIONS ARE IN INCHES		DRAWN MARK FONTES	DATE 12/09/98	Q4 P17	
TOLERANCES ON FRACTIONS DECIMALS ANGLES		ENGINEER S.B. MARQUIS	12/09/98	TEXAS INSTRUMENTS ATILEBORO, MASSACHUSETTS 02703 KLIXON CONTROL PRODUCTS DIVISION	
MATERIAL		APPROVED D.R. PETRIE	12/09/98	TITLE FIXED TEMPERATURE THERMOSTAT ENVELOPE DRAWING	
		APPROVED G. FIELD	12/09/98	SIZE B	CODE IDENT NO. 82647
		SIGNATURES ON FILE. REFER TO ELECTRONIC CHANGE NOTICE.		7BT2-3C	