

5

4

3

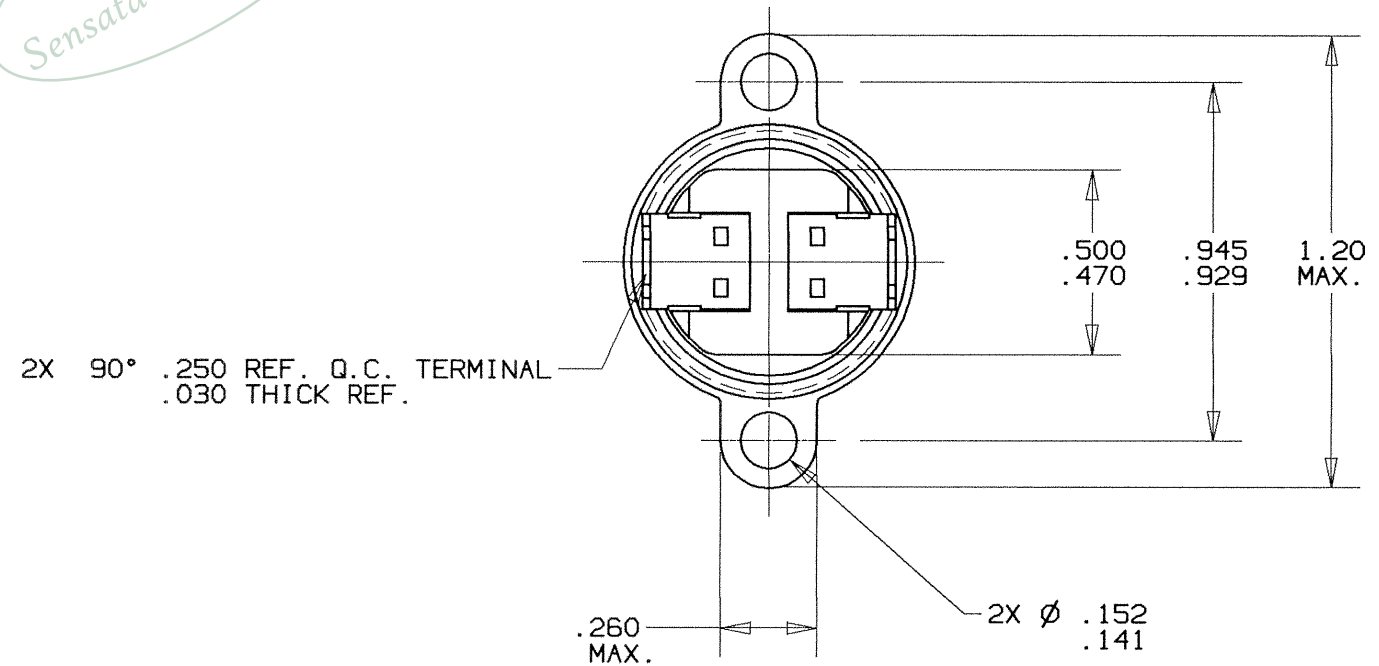
2

1

REVISIONS

ZONE	LTR	DEV. #	DESCRIPTION	PROJ. #	DATE	APPROVED
	B	7BT2	.660 MAX WAS .650 MAX.	3190	03/29/99	S. B. M.
				ECN#M45030 MF		

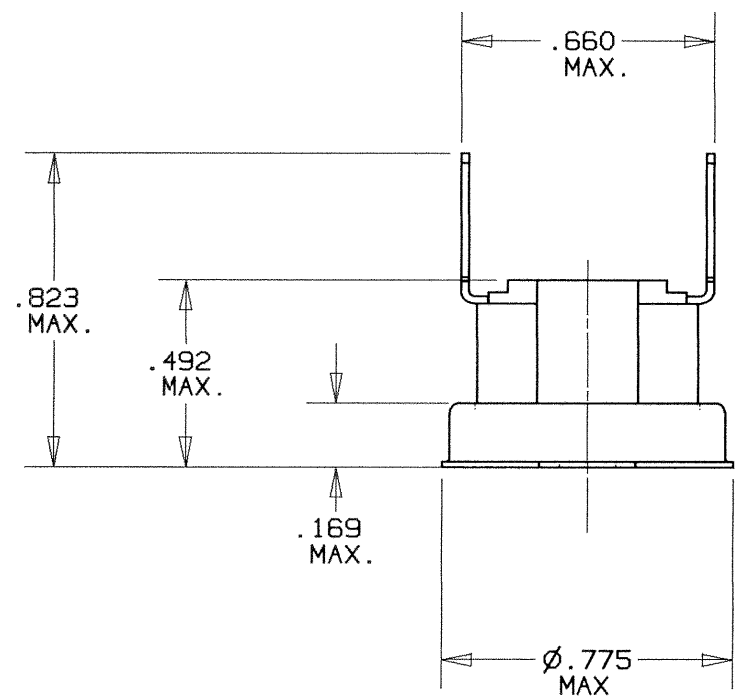
Property of
Sensata Technologies




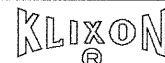
PART NO.: 7BTL2-3F-*
7BTF2-3F-*

L DESIGNATES OPEN ON TEMPERATURE RISE.
F DESIGNATES CLOSE ON TEMPERATURE RISE.

*WHEN CUSTOMERS TEMPERATURE CHARACTERISTICS ARE ESTABLISHED A DASH NO. WILL BE ASSIGNED, THEREBY COMPLETING THE PART NO.



THIS DRAWING SUPERSEDES 7BT2-3F REV. A DATED 12/09/99.

				Q4	P17	P1
UNLESS OTHERWISE SPECIFIED DIMENSIONS ARE IN INCHES	DRAWN MARK FONTES	DATE 12/09/98	 TEXAS INSTRUMENTS ATTLEBORO, MASSACHUSETTS 02703		 CONTROL PRODUCTS DIVISION	
TOLERANCES ON FRACTIONS DECIMALS ANGLES	ENGINEER S. B. MARQUIS	12/09/98	TITLE FIXED TEMPERATURE THERMOSTAT ENVELOPE DRAWING			
MATERIAL	APPROVED D. R. PETRIE	12/09/98				
	APPROVED G. FIELD	12/09/98				
			SIZE B	CODE IDENT NO. 82647	7BT2-3F	
SIGNATURES ON FILE. REFER TO ELECTRONIC CHANGE NOTICE.						