

5

4

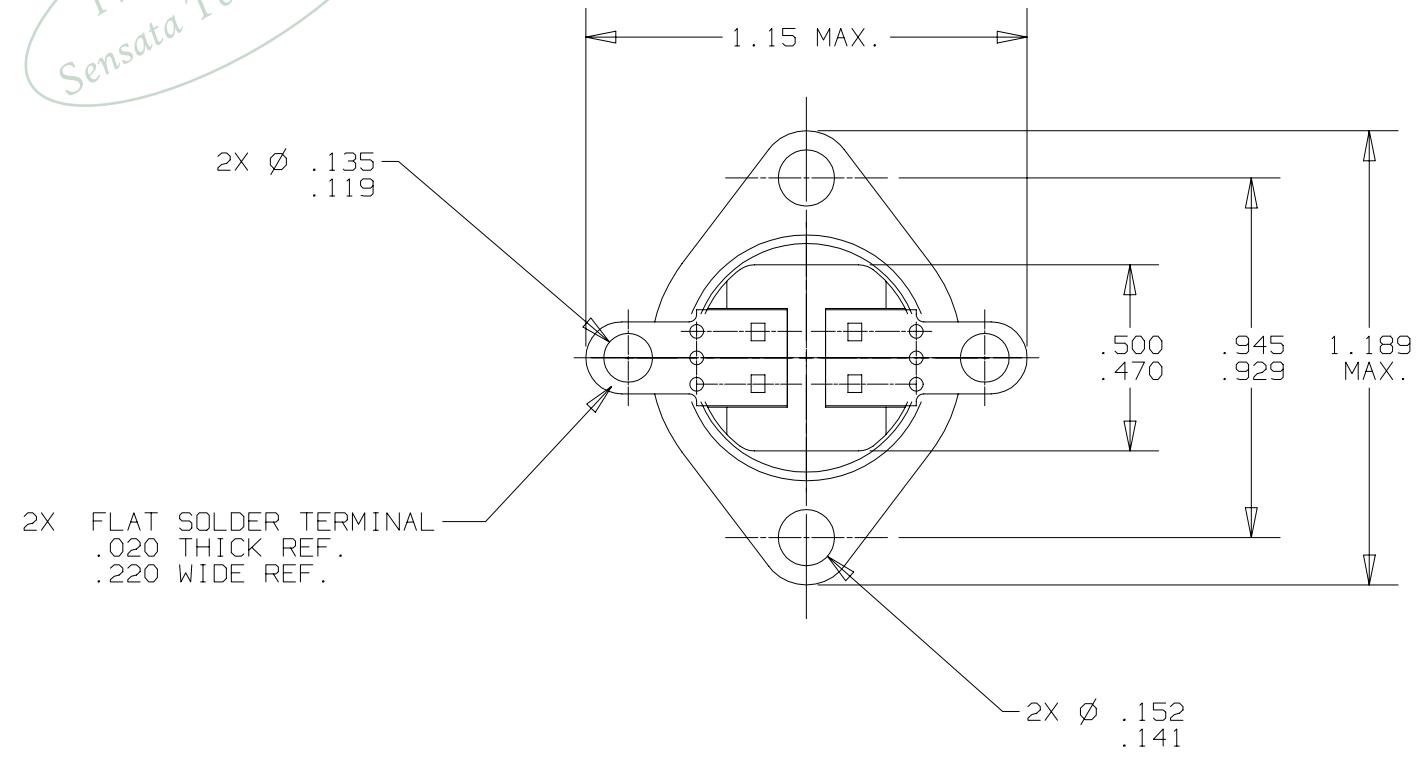
3

2

1

Property of
Sensata Technologies

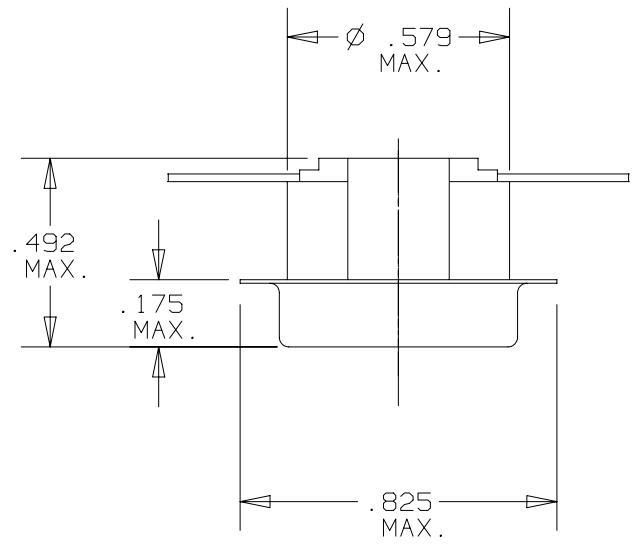
REVISIONS						
ZONE	LTR	7BT2	DESCRIPTION	PROJ.# 3190	DATE	APPROVED
	A	1 ST ISSUE		ECN#M43052 MF	12/09/98	S.B.M.



PART NO.: 7BT2L4A-*
7BT2F4A-*

"L" DESIGNATES OPEN ON TEMPERATURE RISE.
"F" DESIGNATES CLOSE ON TEMPERATURE RISE.

*WHEN CUSTOMERS TEMPERATURE CHARACTERISTICS ARE ESTABLISHED A DASH NO. WILL BE ASSIGNED, THEREBY COMPLETING THE PART NO.



										Q4	P17	P1
UNLESS OTHERWISE SPECIFIED DIMENSIONS ARE IN INCHES			DRAWN MARK FONTES		DATE 12/09/98	TEXAS INSTRUMENTS ATLEBORO, MASSACHUSETTS 02703			KLIXON CONTROL PRODUCTS DIVISION			
TOLERANCES ON FRACTIONS DECIMALS ANGLES			ENGINEER S.B. MARQUIS		DATE 12/09/98	TITLE FIXED TEMPERATURE THERMOSTAT ENVELOPE DRAWING						
MATERIAL			APPROVED D.R. PETRIE		DATE 12/09/98	SIZE B		CODE IDENT NO. 82647		7BT2-4A		
			APPROVED G. FIELD		DATE 12/09/98	SIGNATURES ON FILE. REFER TO ELECTRONIC CHANGE NOTICE.						