

5

4

3

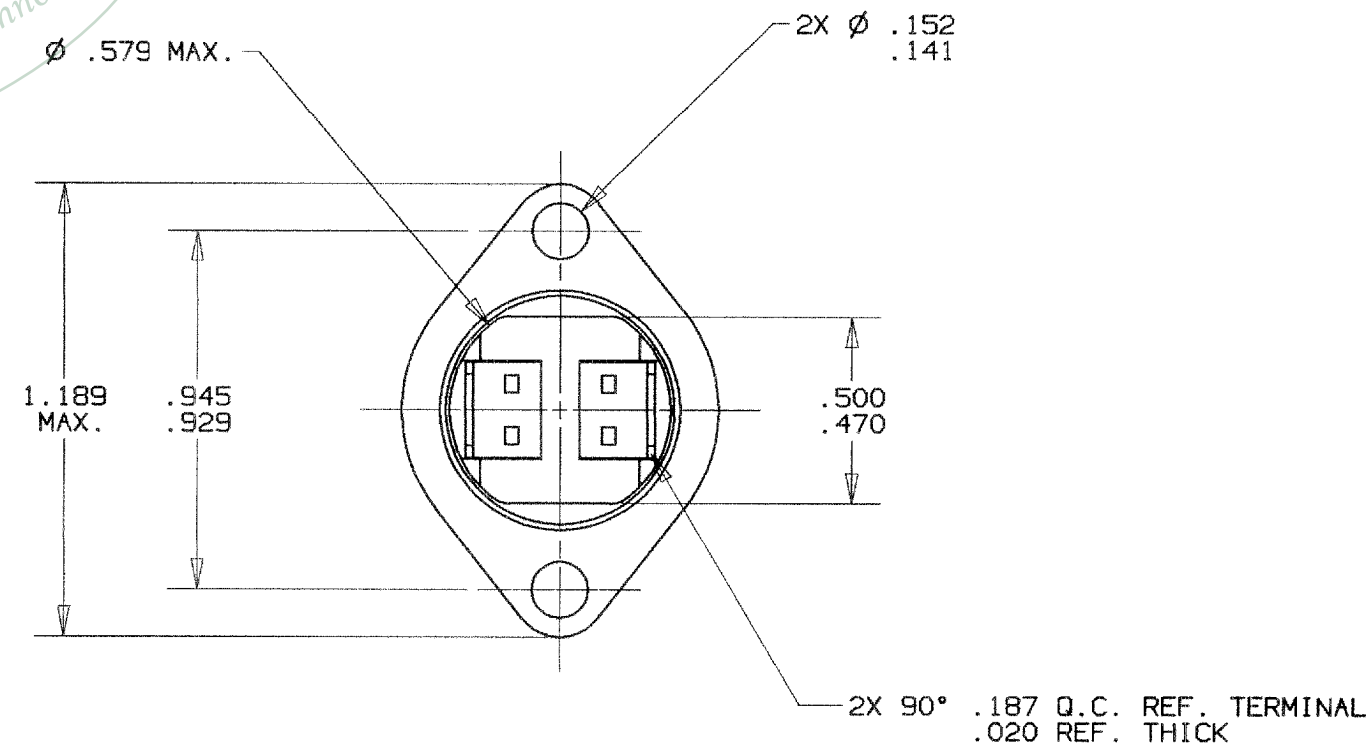
2

1

REVISIONS

ZONE	LTR	DEV. #	DESCRIPTION	PROJ. #	DATE	APPROVED
		7BT2		3190		
E		CHG TO MATCH	7BT2 SEQUENCE ECN#M45030 MF		03/26/99	S.B.M.

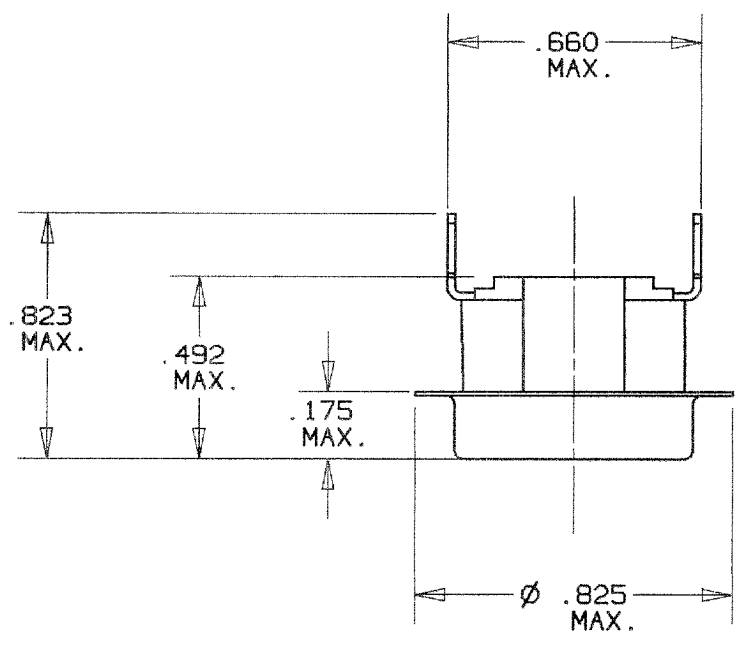
Property of
Sensata Technologies



PART NO.: 7BT2L4B-*
7BT2F4B-*

"L" DESIGNATES OPEN ON TEMPERATURE RISE.
"F" DESIGNATES CLOSE ON TEMPERATURE RISE.

*WHEN CUSTOMERS TEMPERATURE CHARACTERISTICS ARE ESTABLISHED A DASH NO. WILL BE ASSIGNED, THEREBY COMPLETING THE PART NO.



THIS DRAWING SUPERSEDES 7BT2-4B REV. D DATED 12/11/98.

UNLESS OTHERWISE SPECIFIED DIMENSIONS ARE IN INCHES		DRAWN MARK FONTES	DATE 11/13/98	Q4 P17	
TOLERANCES ON FRACTIONS DECIMALS ANGLES		ENGINEER S.B. MARQUIS	11/13/98	TEXAS INSTRUMENTS ATTLEBORO, MASSACHUSETTS 02703	
MATERIAL		APPROVED D.R. PETRIE	11/13/98	KLIXON CONTROL PRODUCTS DIVISION	
		APPROVED G. FIELD	11/13/98	TITLE FIXED TEMPERATURE THERMOSTAT ENVELOPE DRAWING	
		SIGNATURES ON FILE. REFER TO ELECTRONIC CHANGE NOTICE.		SIZE B	CODE IDENT NO. 82647
				7BT2-4B	