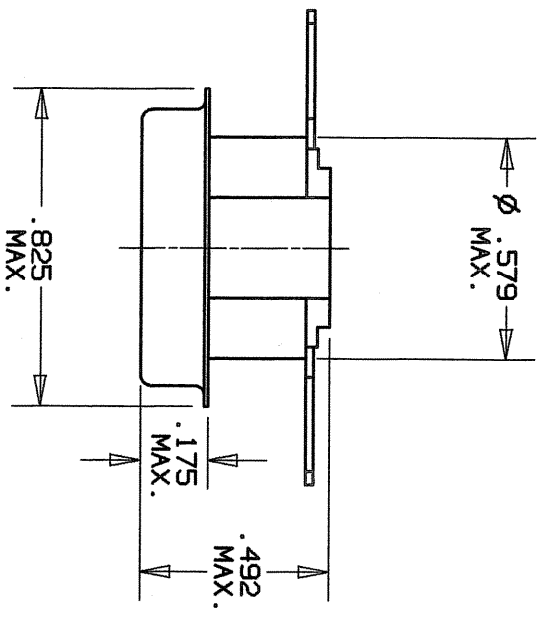
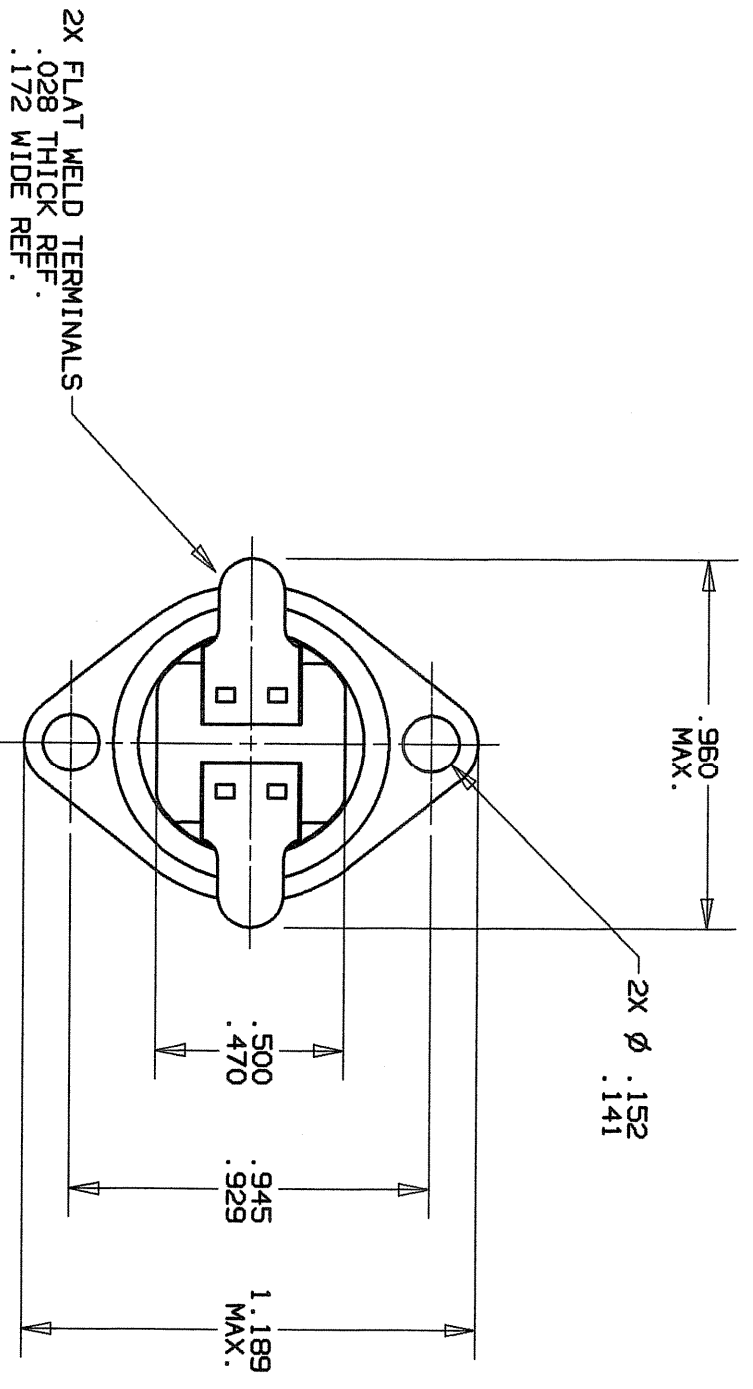


REVISIONS					
ZONE	LTR	DEV. #	DESCRIPTION	DATE	APPROVED
	A	1 st ISSUE		12/09/98	S. B. M.
			PROJ. # 3190		
			ECN#M43060 MF		



Property of
Sensata Technologies

PART NO. : 7BT2L4C-*
7BT2F4C-*

"L" DESIGNATES OPEN ON TEMPERATURE RISE.
"F" DESIGNATES CLOSE ON TEMPERATURE RISE.

*WHEN CUSTOMERS TEMPERATURE CHARACTERISTICS ARE ESTABLISHED A DASH NO. WILL BE ASSIGNED, THEREBY COMPLETING THE PART NO.

UNLESS OTHERWISE SPECIFIED DIMENSIONS ARE IN INCHES		DRAWN		DATE		TITLE		04		P17	
TOLERANCES ON FRACTIONS DECIMALS ANGLES		MARK FONTES		12/09/98		FIXED TEMPERATURE THERMOSTAT ENVELOPE DRAWING					
MATERIAL		ENGINEER		DATE		TEXAS INSTRUMENTS ATTLEBORO, MASSACHUSETTS 02703				Klixon CONTROL PRODUCTS DIVISION	
		S. B. MARQUIS		12/09/98							
		APPROVED		DATE							
		D. R. PETRIE		12/09/98							
		APPROVED		DATE							
		G. FIELD		12/09/98							
		SIGNATURES ON FILE. REFER TO ELECTRONIC CHANGE NOTICE.									
		SIZE		CODE IDENT NO.							
		B		82647						7BT2-4C	