

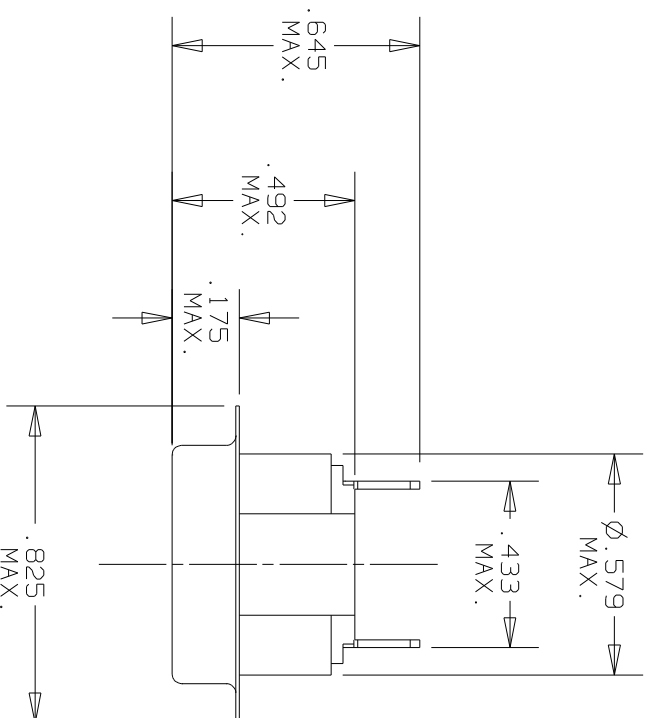
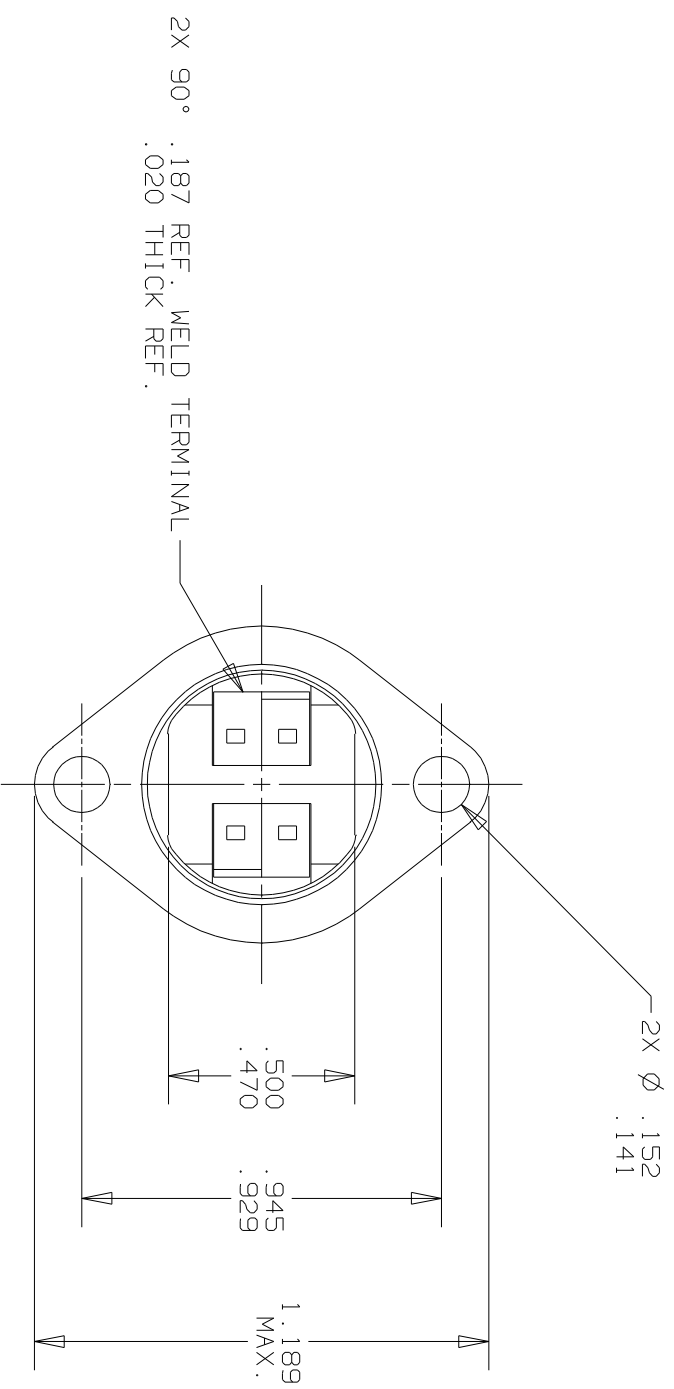
REVISIONS

ZONE	LTR	DEV. #	DESCRIPTION	PROJ. #	DATE	APPROVED
A		1 st ISSUE		3190	12/10/98	S.B.M.

ECN#M43070 MF

12/10/98



S.B.M.



PART NO. : 7BT2L4D- *
7BT2F4D- *

"L" DESIGNATES OPEN ON TEMPERATURE RISE.
"F" DESIGNATES CLOSE ON TEMPERATURE RISE.

*WHEN CUSTOMERS TEMPERATURE CHARACTERISTICS ARE ESTABLISHED A DASH NO. WILL BE ASSIGNED, THEREBY COMPLETING THE PART NO.

UNLESS OTHERWISE SPECIFIED DIMENSIONS ARE IN INCHES		DRAWN	MARK FONTES	DATE	12/10/98	TITLE		04	P17	P1
TOLERANCES ON FRACTIONS DECIMALS ANGLES		ENGINEER	S.B. MARQUIS	12/10/98	 TEXAS INSTRUMENTS ATILEBORO, MASSACHUSETTS 02703		 Klixon CONTROL PRODUCTS DIVISION			
MATERIAL		APPROVED	D.R. PETRIE	12/10/98	FIXED TEMPERATURE THERMOSTAT ENVELOPE DRAWING					
SIGNATURES ON FILE. REFER TO ELECTRONIC CHANGE NOTICE.		APPROVED	G. FIELD	12/10/98	SIZE	CODE IDENT NO.	7BT2-4D			

