

5

4

3

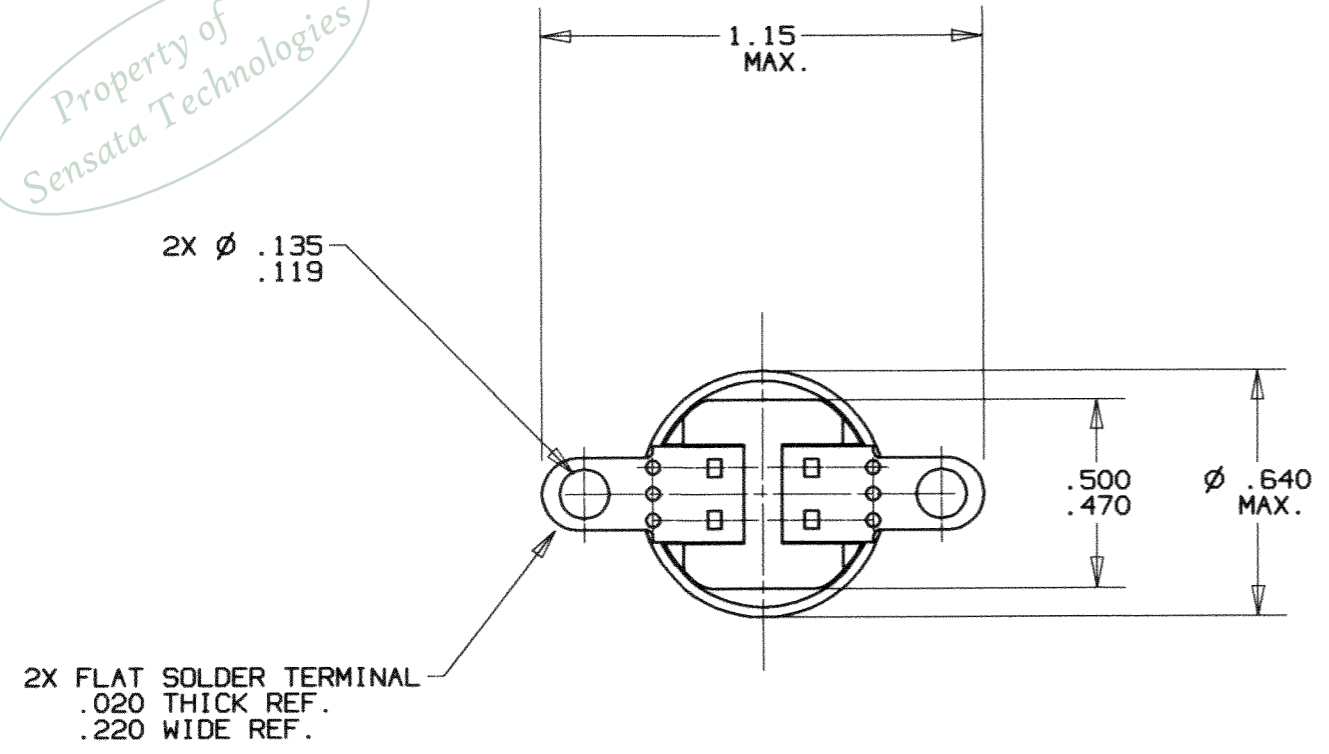
2

1

REVISIONS

ZONE	LTR	DEV. #	DESCRIPTION	PROJ. #	DATE	APPROVED
	A	7BT2	1 <sup>ST</sup> ISSUE	3190	12/09/98	S.B.M.
				ECN#M43053 MF		

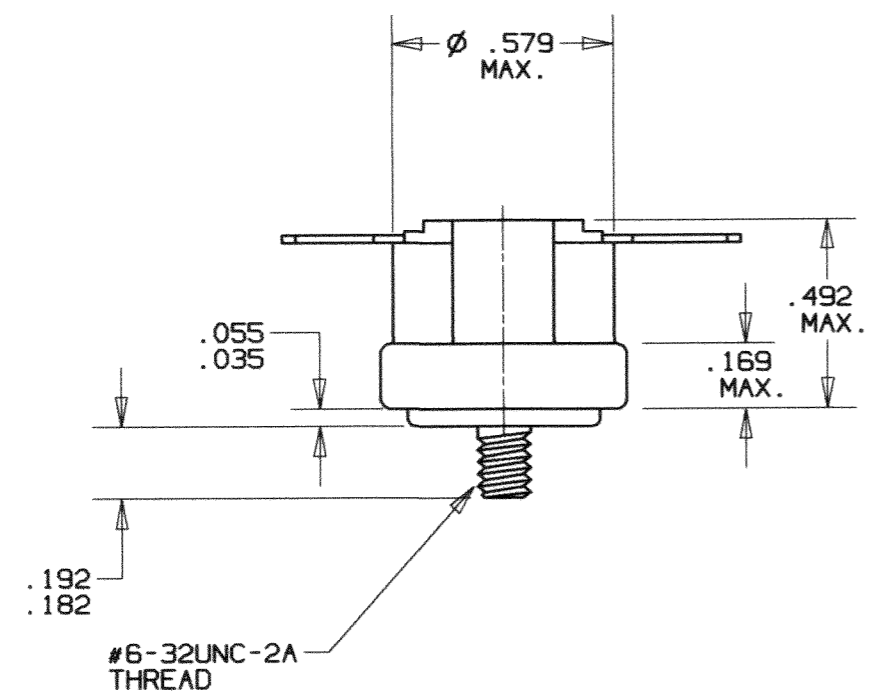
Property of  
Sensata Technologies



PART NO.: 7BT2L6A-\*  
7BT2F6A-\*

"L" DESIGNATES OPEN ON TEMPERATURE RISE.  
"F" DESIGNATES CLOSE ON TEMPERATURE RISE.

\*WHEN CUSTOMERS TEMPERATURE CHARACTERISTICS ARE ESTABLISHED A DASH NO. WILL BE ASSIGNED, THEREBY COMPLETING THE PART NO.



UNLESS OTHERWISE SPECIFIED DIMENSIONS ARE IN INCHES		DATE	Q4		P17
DRAWN MARK FONTES		12/09/98	TEXAS INSTRUMENTS ATTLEBORO, MASSACHUSETTS 02703		KLIXON CONTROL PRODUCTS DIVISION
TOLERANCES ON FRACTIONS DECIMALS ANGLES		ENGINEER S.B. MARQUIS	TITLE		
		12/09/98	FIXED TEMPERATURE THERMOSTAT ENVELOPE DRAWING		
APPROVED D.R. PETRIE		12/09/98	SIZE B		
APPROVED G. FIELD		12/09/98	CODE IDENT NO. 82647		
MATERIAL				7BT2-6A	
SIGNATURES ON FILE. REFER TO ELECTRONIC CHANGE NOTICE.					