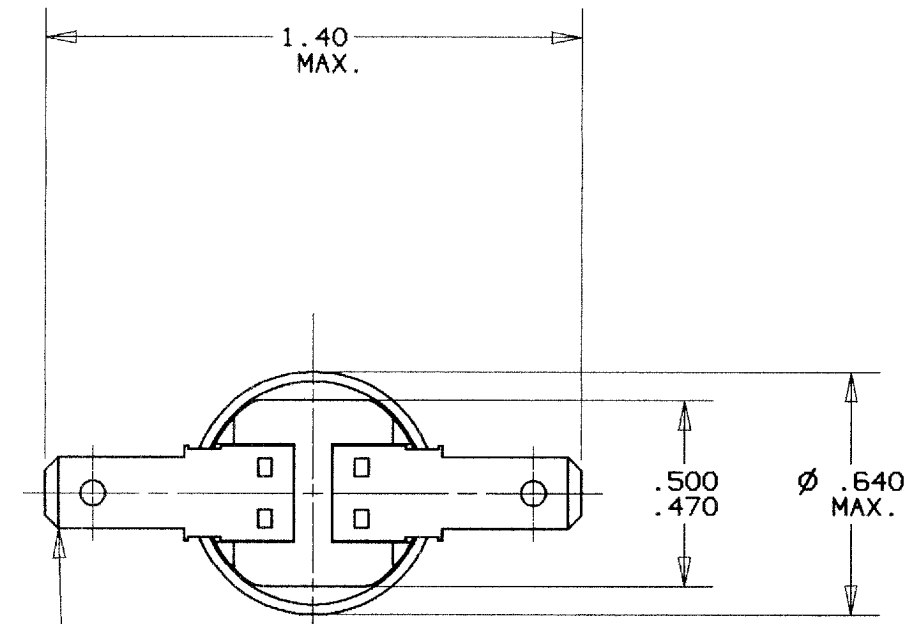


Property of
Sensata Technologies

REVISIONS						
ZONE	LTR	DEV. #	DESCRIPTION	PROJ. #	DATE	APPROVED
	A	7BT2	1 ST ISSUE	3190	12/09/98	S.B.M.
				ECN#M43074 MF		

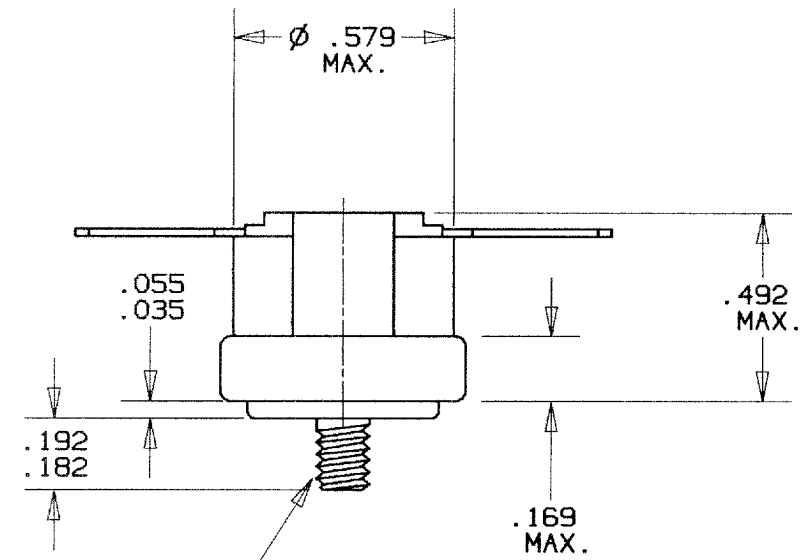


2x FLAT .250 REF. Q.C. TERMINAL
.030 THICK REF.


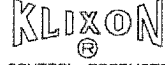
PART NO.: 7BT2L6G-*
7BT2F6G-*

"L" DESIGNATES OPEN ON TEMPERATURE RISE.
"F" DESIGNATES CLOSE ON TEMPERATURE RISE.

*WHEN CUSTOMERS TEMPERATURE CHARACTERISTICS ARE ESTABLISHED A DASH NO. WILL BE ASSIGNED, THEREBY COMPLETING THE PART NO.



#6-32UNC-2A
THREAD

				Q4	P17	
UNLESS OTHERWISE SPECIFIED DIMENSIONS ARE IN INCHES		DRAWN MARK FONTES	DATE 12/09/98	 TEXAS INSTRUMENTS ATTLEBORO, MASSACHUSETTS 02703		 CONTROL PRODUCTS DIVISION
TOLERANCES ON FRACTIONS DECIMALS ANGLES		ENGINEER S.B. MARQUIS	12/09/98	TITLE FIXED TEMPERATURE THERMOSTAT ENVELOPE DRAWING		
MATERIAL		APPROVED D.R. PETRIE	12/09/98	SIZE B	CODE IDENT NO. 82647	7BT2-6G
		APPROVED G. FIELD	12/09/98	SIGNATURES ON FILE. REFER TO ELECTRONIC CHANGE NOTICE.		