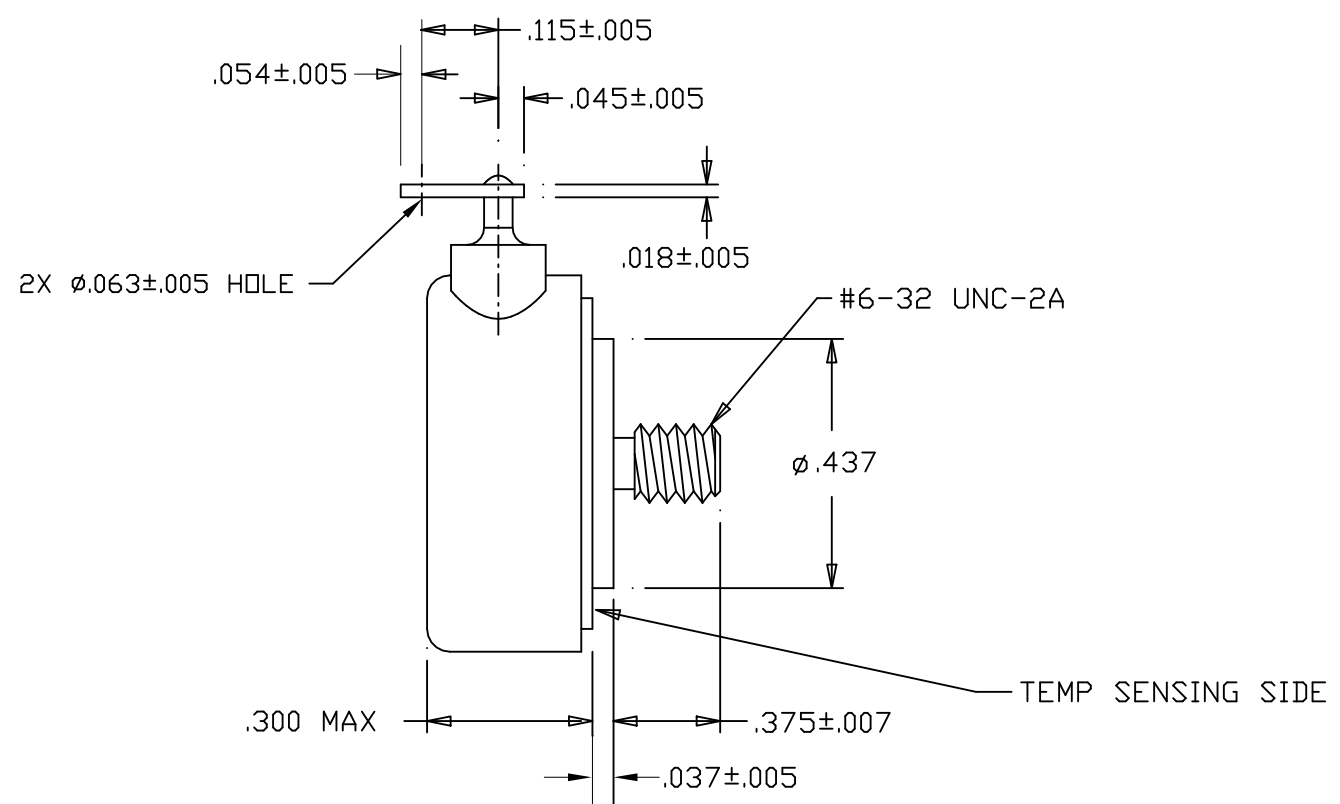
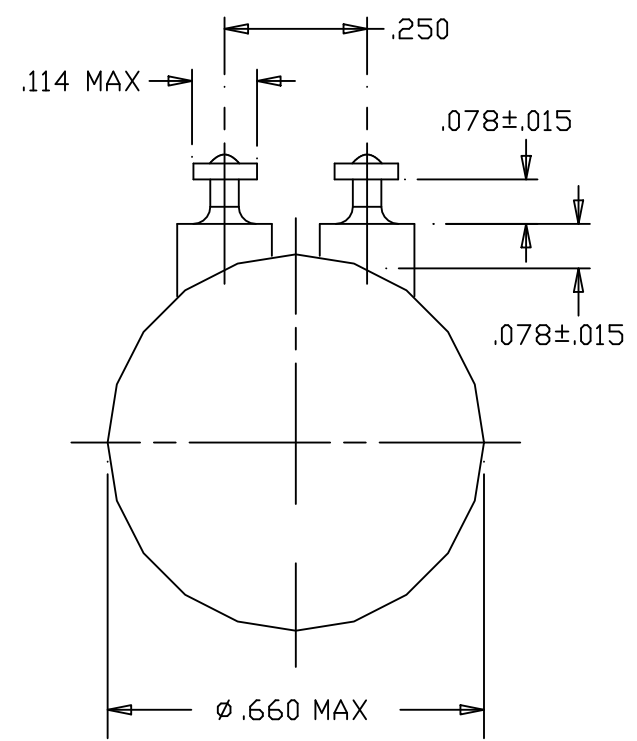


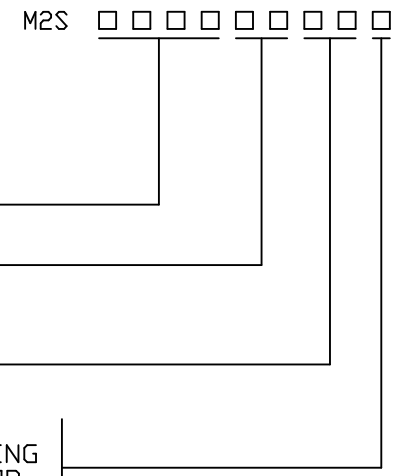
Property of  
Sensata Technologies

ZONE	REV.	REVISION DESCRIPTION	ECN NO.	DATE
C2	C	RE-ALIGN DIM .300 MAX, .037±.005 AND .375±.007 TO BOTTOM OF .037 PAD; PD	ECN0055126	01-OCT-2009



EACH PART NUMBER CONTAINS ELEVEN CHARACTERS WHICH CAN BE DIVIDED INTO FOUR SECTIONS OF SIGNIFICANCE, AND A DASH NUMBER WHICH INDICATES SPECIAL CHARACTERISTICS. THE EXPLANATION BELOW IS FOR GENERAL REFERENCE.

- L = OPEN ON TEMPERATURE RISE +°F
- F = CLOSE ON TEMPERATURE RISE +°F
- B = OPEN ON TEMPERATURE RISE -°F
- M = CLOSE ON TEMPERATURE RISE -°F



CLOSING TEMPERATURE °F


PLUS AND MINUS TOLERANCE FOR CLOSING TEMPERATURE

DIFFERENTIAL:  
05 INDICATES 2° - 5°F DIFF.  
09 INDICATES 5° - 9°F DIFF.

THIS IS A DASH NO. WHICH IS ASSIGNED CONSECUTIVELY AS REQUIRED FOR IDENTIFYING NEW VARIATIONS IN PHYSICAL DESIGN AND/OR RATING WHICH ARE IN THE SPECIAL CATEGORY.

FOR PERFORMANCE CHARACTERISTICS REFER TO 12578

NOTE:  
CONTACT MATERIAL: FINE SILVER

FOR REFERENCE ONLY, CHECK LATEST REVISION BEFORE USE. PARTS MADE TO THIS PRINT MUST CONFORM TO E9898 REV. E		 529 PLEASANT STREET P.O. BOX 2964 ATTLEBORO, MA 02703	
DRAWN G.RITTMANN DATE 28-JUL-1967	SENSATA TECHNOLOGIES PROPRIETARY AND CONFIDENTIAL. NEITHER THIS PRINT NOR THE INFORMATION CONTAINED HEREON IS TO BE USED AGAINST THE INTERESTS OF SENSATA TECHNOLOGIES OR AGAINST THE INTERESTS OF ANY OF ITS AFFILIATED COMPANIES OR WHOLLY OWNED SUBSIDIARIES.		TITLE
ENGINEER J.DOHERTY DATE 28-JUL-1967	UNLESS OTHERWISE SPECIFIED DIMENSIONS ARE IN INCHES TOLERANCES DECIMALS                      ANGLES  ±.010		M2S-35 STYLE THERMOSTAT SPST AUTO RESET SEALED NARROW DIFFERENTIAL ENVELOPE DRAWING
APPROVED	DO NOT SCALE DRAWING	THIRD ANGLE PROJECTION	SIZE DWG NO. REV.
DATE			B M2S-35 C
	SCALE 1:1	AUTOCAD	SHEET 1 OF 1

4

3

2

1

DEVICE:

PROJECT: