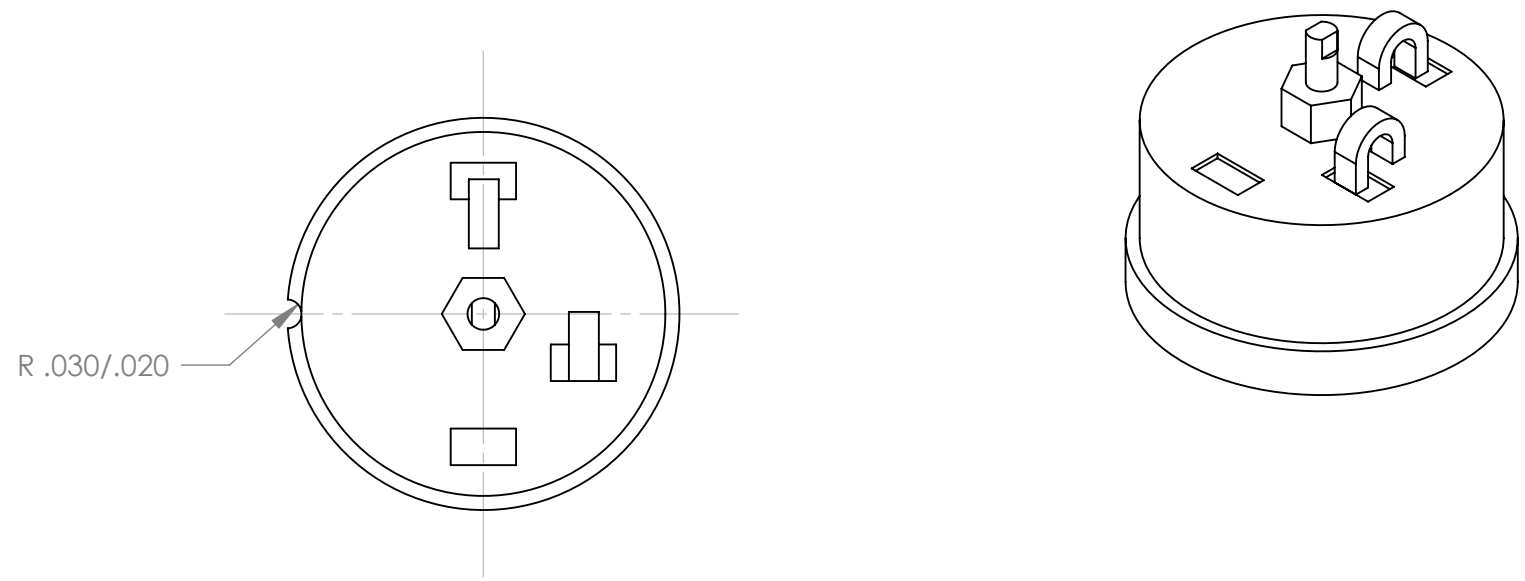


8 7 6 5 4 3 2 1

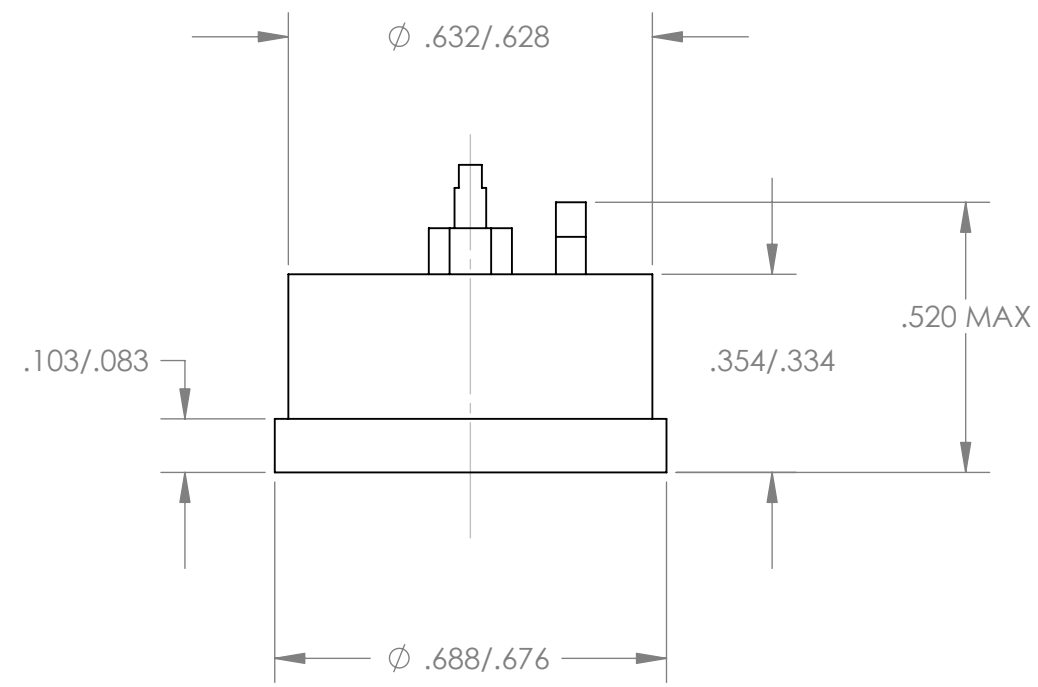
D

D



C

C



B

B

A

A

NEITHER THIS PRINT NOR THE INFORMATION CONTAINED THEREON IS TO BE USED AGAINST THE INTEREST OF SENSATA TECHNOLOGIES, INC. OR AGAINST THE INTERESTS OF ANY OF ITS AFFILIATED COMPANIES OR WHOLLY OWNED SUBSIDIARIES.

FOR REFERENCE ONLY CONSULT SENSATA TECHNOLOGIES' CUSTOMER SERVICE FOR LATEST REVISION BEFORE USE

		UNLESS OTHERWISE SPECIFIED:		NAME	DATE	SENSATA TECHNOLOGIES, INC. ATTLEBORO, MA. 02703			
		DIMENSIONS ARE IN INCHES		DRAWN	S. MARQUIS	10/1/08	TITLE: 1-PHASE AUTOMATIC RESET THERMAL PROTECTOR ENVELOPE DRAWING		
		TOLERANCES:		CHECKED					
		FRACTIONAL \pm		ENG APPR.					
		ANGULAR: MACH \pm BEND \pm		MFG APPR.					
		TWO PLACE DECIMAL \pm		Q.A.			SIZE DWG. NO. REV B SKA SERIES		
		THREE PLACE DECIMAL \pm		COMMENTS:					
		INTERPRET GEOMETRIC TOLERANCING PER:					SCALE: 4:1	WEIGHT:	SHEET 1 OF 1
		MATERIAL							
NEXT ASSY	USED ON	FINISH							
APPLICATION		DO NOT SCALE DRAWING							

8 7 6 5 4 3 2 1