



AUTOMOTIVE AIR CONDITIONING (A/C) PRESSURE SWITCHES

Low Cost, Low Weight, Industry Proven

PROVEN TECHNOLOGY

For more than 30 years, Sensata's pressure switches have been trusted to provide low cost on/off controls for many automotive systems. The snap action disc reacts to changing pressure by reversing its curvature and activating electrical switch contacts.

FEATURES

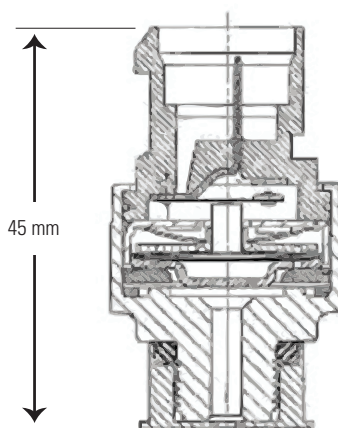
- Designed for underhood environment
- Low weight
- Custom packaging for specific application needs
- Automotive temperature range of -30°C to 125°C
- Normally open and normally closed contact logic
- Dual function capability
- Line mount or compressor pocket mount capability
- Industry proven since 1984

TYPICAL APPLICATIONS

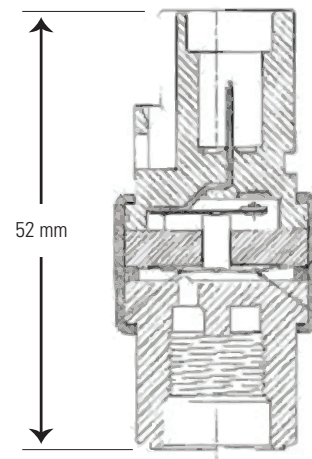
- Dual Function Pressure Switch (DFPS): combines High Pressure Cut-Out (HPCO) with Fan function or High Side Low Pressure (HSLP) function
- HPCO: disables A/C compressor when system pressure becomes excessively high
- Fan: energizes fan to supplement condensor cooling
- Compressor cycling: controls A/C compressor cycling to optimize vehicle cooling
- Loss of charge: disables A/C compressor when system pressure becomes too low
- High Side Low Pressure (HSLP): disables compressor when system becomes too low

DIMENSIONS

Typical examples, other styles available.



Dual Function Pressure Switch (HPCO / Fan or HPCO / HSLP)



Compressor Cycling Switch / Loss of Charge

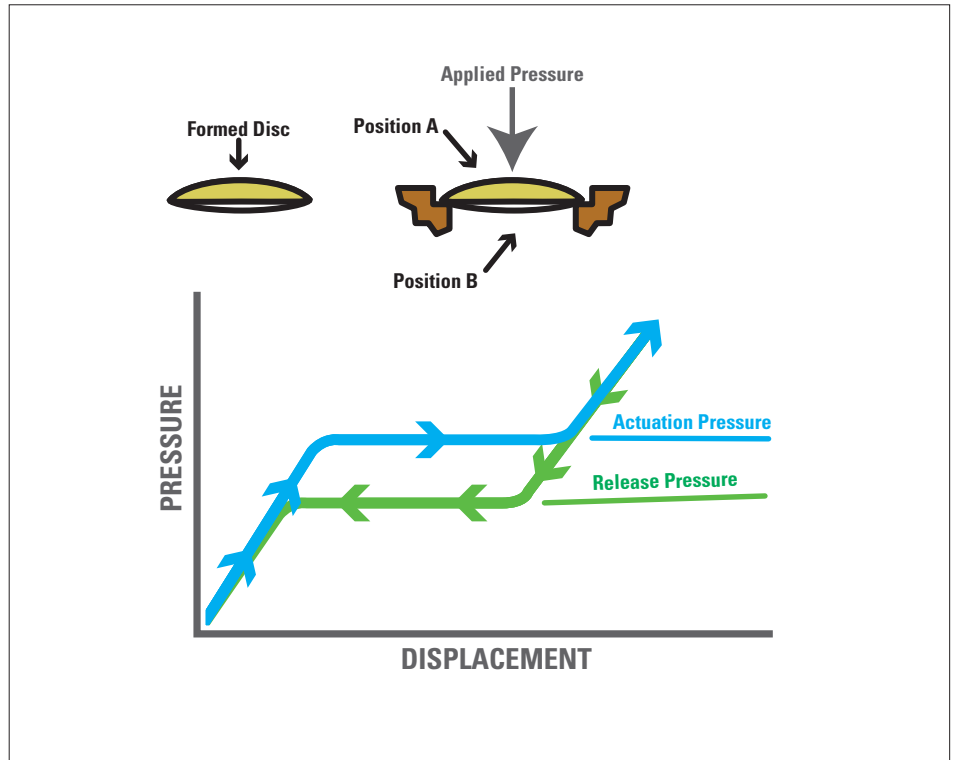




SPECIFICATIONS*

ELECTRICAL	
Supply Voltage	5 VDC – 24 VDC
Supply Current	5.0 mA resistive 3.5 A inductive
Response Time	<10ms
ENVIRONMENTAL	
Operating Temperature	-30°C to 125°C
Pressure Ranges ¹	10 to 500 psig
DURABILITY	
Cycle Life	
Dual Function Pressure Switch	50,000 cycles min.
High Pressure Cut-Out	50,000 cycles min.
Loss of Charge	50,000 cycles min.
Fan Switch	300,000 cycles min.
Compressor Cycling Switch	300,000 cycles min.
Proof Pressure ¹	500 psig
Burst Pressure ¹	1,250 psig
¹ Typical	
* Performance data available upon request.	

TYPICAL OUTPUT CHARACTERISTICS



The World Depends on Sensors and Controls

Sensata Technologies
529 Pleasant Street, B41
Attleboro, MA 02703-2964
Phone: 1-248-692-5600
Fax: 1-248-692-5630
Email: auto-mktg@sensata.com
Web: www.sensata.com

Important Notice: Sensata Technologies reserves the right to make changes to, or to discontinue, any product or service identified in this publication without notice. Before placing orders, users should obtain the latest version of the relevant information to verify that the information being relied upon is current.

Sensata Technologies assumes no responsibility for customers' product designs or applications. Users must determine the suitability of the Sensata device described in this publication for their application, including the level of reliability required. Many factors beyond Sensata's control can affect the use and performance of a Sensata product in a particular application, including the conditions under which the product is used and the time and environmental conditions in which the product is expected to perform. As these factors are uniquely within the user's knowledge and control, it is essential that the user evaluate the Sensata product to determine whether it is fit for a particular purpose and suitable for the user's application.