

4

3

2

1

ZONE	REV.	REVISION DESCRIPTION	ECN NO.	DATE
B2	H	FOR VOLTAGE DROP, COLUMN TITLE "MAX. VOLTAGE DROP" WAS "CURRENT"; GML	ECN0056051	06-NOV-2009

PERFORMANCE CHARACTERISTICS

DETAIL PERFORMANCE

VIBRATION ----- CURVE 'J' OF EUROCAE ED-14B, 3 G'S, 2000 HZ  
 MECHANICAL SHOCK ----- 50 G'S  
 CORROSION ----- SALT SPRAY 48 HOURS  
 SAND & DUST ----- 12 HOURS  
 HUMIDITY ----- 48 HOURS  
 EXPLOSION PROOF ----- WHILE INTERRUPTING CURRENTS

ENDURANCE:

115 VAC	360-800 HZ INDUCTIVE	2500 CYCLES
28 VDC	RESISTIVE	2500 CYCLES
	INDUCTIVE	2500 CYCLES
MECHANICAL	NO LOAD	5000 CYCLES

CALIBRATION: 20, 25, 40, 50, 60 & 70 AMP

	MIN. ULT. TRIP	MAX. ULT. TRIP	200%	500%	1000%
+25°C (+77°F)	115% RATING	138% RATING	15-55 SEC.	0.15-2.5 SEC.	0.045-0.6 SEC.
-40°C (-40°F)	148% RATING	178% RATING	70 SEC. MAX.	0.15-2.5 SEC.	0.045-0.6 SEC.
+71°C (+160°F)	70% RATING	114% RATING	1.5 SEC. MIN.	0.15-2.5 SEC.	0.045-0.6 SEC.

RUPTURE:

RATING	115VAC 300-800 HZ	28VDC
20	2000A R.M.S.	4000A
25	2000A R.M.S.	4000A
40	2000A R.M.S.	4000A
50	2000A R.M.S.	4000A
60	2000A R.M.S.	2000A
70	2000A R.M.S.	2000A

OPERATIONAL FORCES:

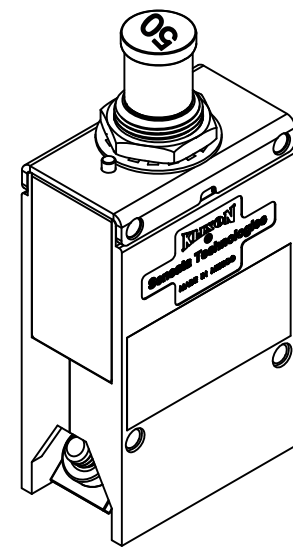
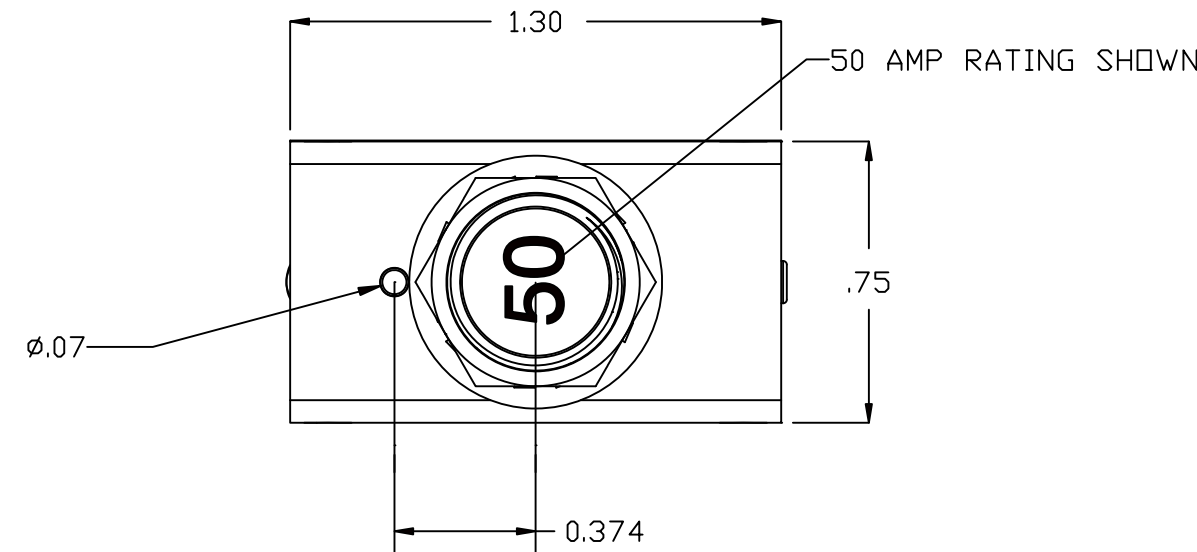
PULLOUT ----- 1.2 - 8 LBS  
 RESET ----- 1.8 - 12 LBS

OPERATING ALTITUDE: 15,000 M (49,200 FT)

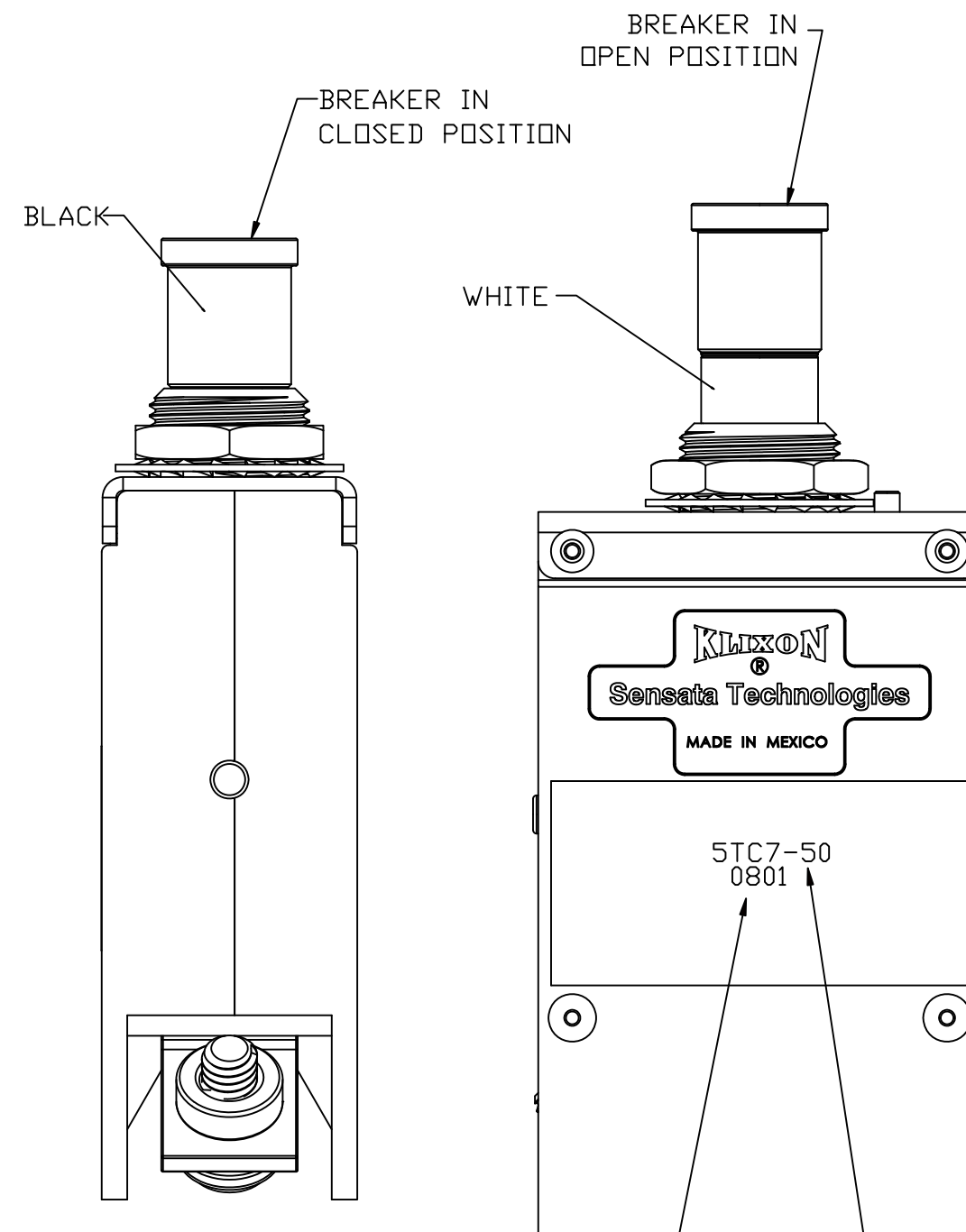
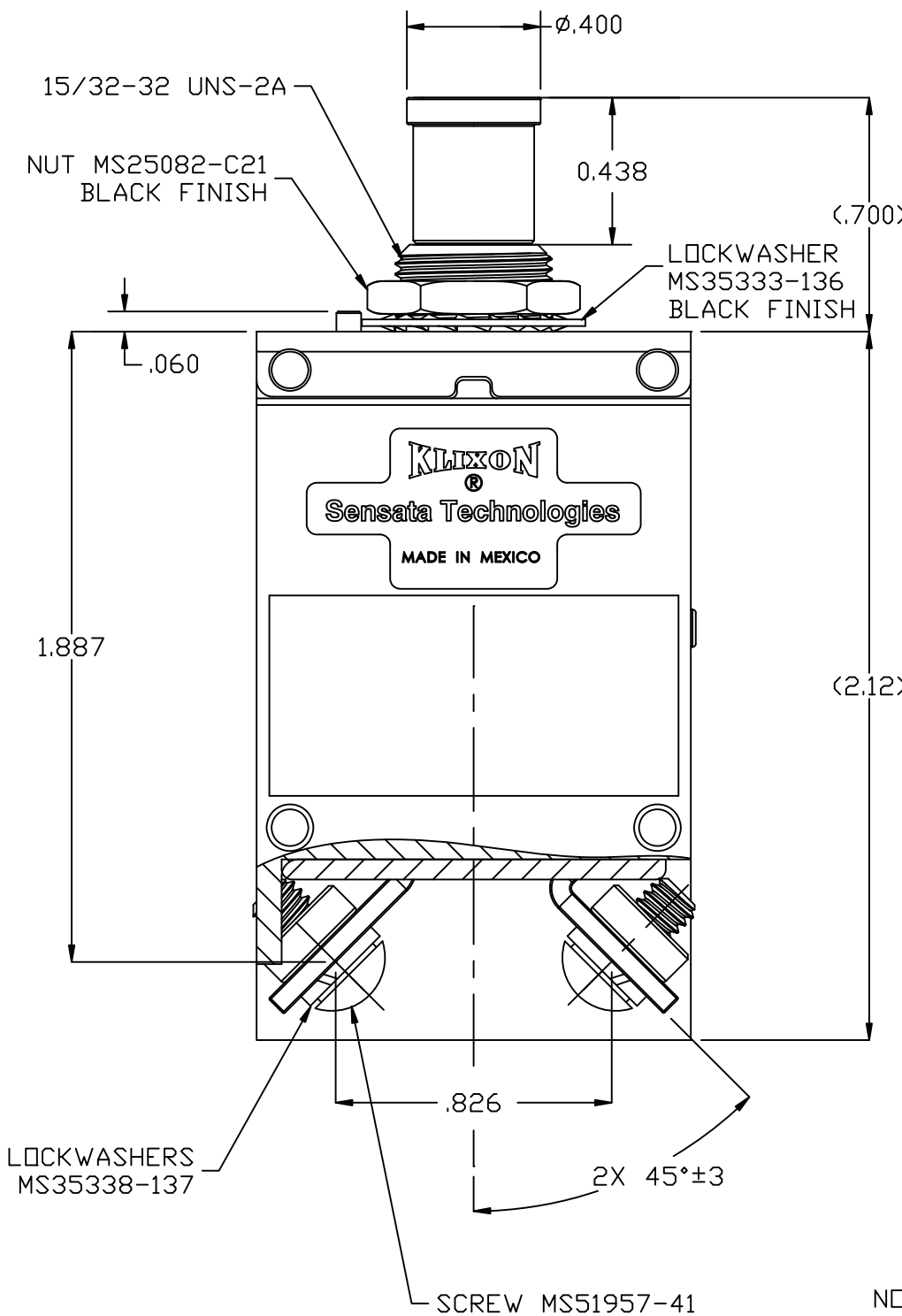
WEIGHT: .11 LBS. MAX (52 GRAMS MAX.) - WITH CONNECTION HARDWARE

VOLTAGE DROP:

RATING	MAX. VOLTAGE DROP
20	0.250 VOLTS
25	0.250 VOLTS
40	0.250 VOLTS
50	0.250 VOLTS
60	0.250 VOLTS
70	0.250 VOLTS



SCALE 1:1



DATE CODE (YEAR-WEEK) SEE NOTES 4&5

SENSATA PART NUMBER

NOTES:

1. EPOXY SURFACES ARE NON-DIMENSIONED. ENVELOPE DIMENSIONS DO NOT APPLY TO THESE PROJECTED EPOXY SURFACES.
2. TERMINAL AND MOUNTING HARDWARE MAY BE PACKAGED RATHER THAN INSTALLED.
3. COUNTRY OF ORIGIN IS SHOWN FOR ILLUSTRATIONAL PURPOSES ONLY. COUNTRY OF ORIGIN TO BE IDENTIFIED AS REQUIRED.
4. DATE CODE PER 10588-285.
5. MARK IN APPROXIMATE POSITION SHOWN IN BLACK INK PER 12506-70.

FOR REFERENCE ONLY, CHECK LATEST REVISION BEFORE USE. PARTS MADE TO THIS PRINT MUST CONFORM TO E9898 REV. E		529 PLEASANT STREET P.O. BOX 2964 ATTLEBORO, MA 02703	
DRAWN W.BLENKHORN DATE 31-JAN-2008 ENGINEER W.BLENKHORN DATE 31-JAN-2008 APPROVED W.BENTLEY DATE 31-JAN-2008 APPROVED A.NAULT DATE 31-JAN-2008	SENSATA TECHNOLOGIES PROPRIETARY AND CONFIDENTIAL. NEITHER THIS PRINT NOR THE INFORMATION CONTAINED HEREON IS TO BE USED AGAINST THE INTERESTS OF SENSATA TECHNOLOGIES OR AGAINST THE INTERESTS OF ANY OF ITS AFFILIATED COMPANIES OR WHOLLY OWNED SUBSIDIARIES. UNLESS OTHERWISE SPECIFIED DIMENSIONS ARE IN INCHES TOLERANCES DECIMALS ANGLES X.X ±0.10 X.X° ±2° X.XX ±0.01 X.XXX ±0.005	TITLE 5TC CIRCUIT BREAKER PUSH-PULL TRIP FREE SIZE C DWG NO. 5TC7 SCALE 1:1 AUTOCAD SHEET 1 OF 1	REV. H