

Property of
Sensata Technologies

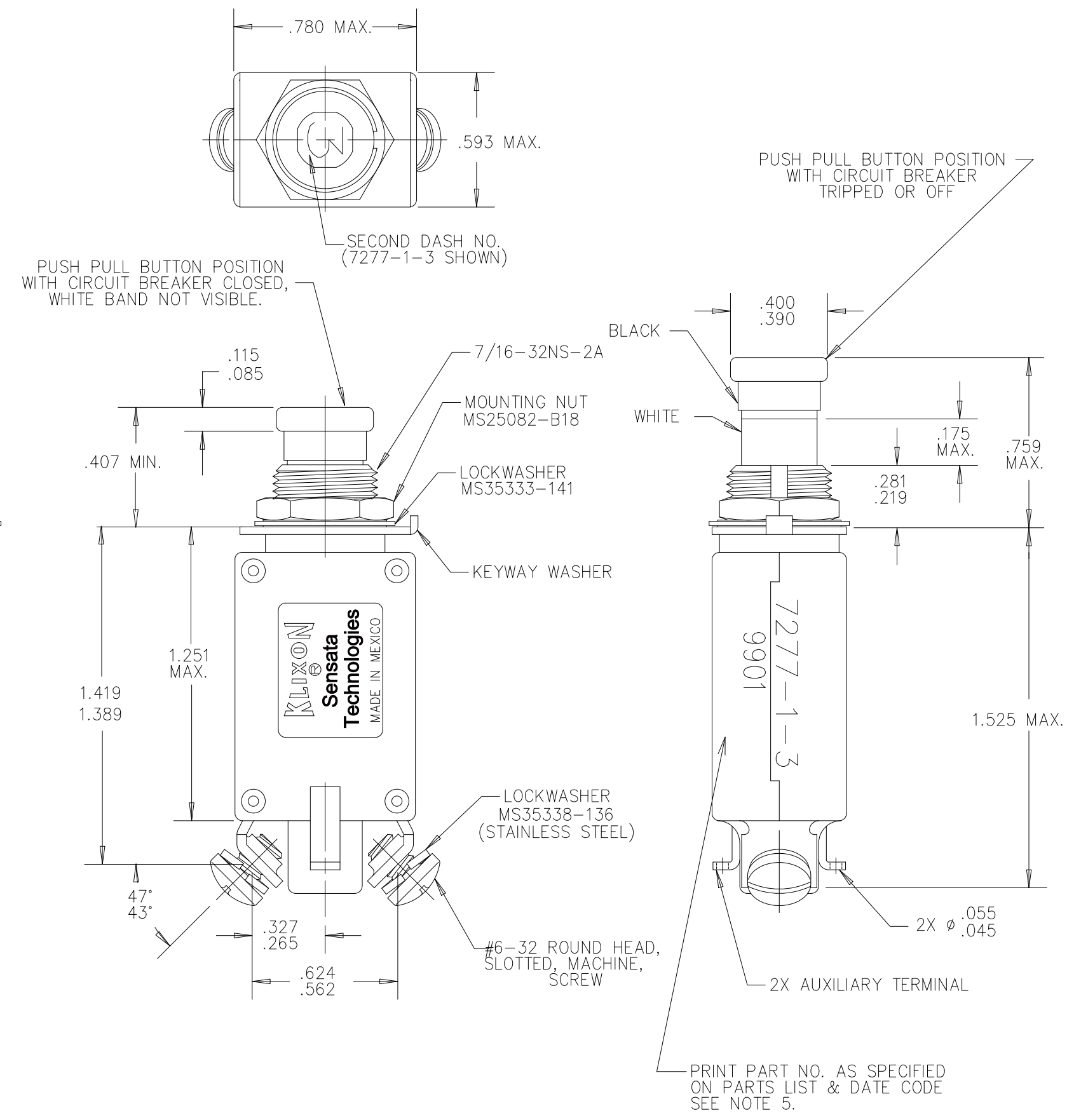
4

3

2

1

ZONE	REV.	REVISION DESCRIPTION	ECN NO.	DATE
B2 B1	R	ADDED 7277-1-25 PART NO.; 7277-1-15 & 7277-1-20, CURRENT INTERRUPTING CAPACITY FOR 28 VDC WAS "2000 AMPS"; CHANGED MAXIMUM VOLTAGE DROP FOR THE FOLLOWING: 7277-1-2 WAS 0.70, 7277-1-2 1/2 WAS 0.50, 7277-1-3 WAS 0.33, 7277-1-4 WAS 0.30, 7277-1-5 WAS 0.25, 7277-1-7 1/2 WAS 0.20, 7277-1-10, -1-15 & -1-20 WAS 0.15; DIMENSION 2X ϕ .045-.055 WAS ϕ .081-.019 (2-PL); REMOVED "1/2 AMP THRU 10 AMP" FROM "CALIBRATION:" GML	ECO-059939	04-NOV-2010
B3 C2				



PERFORMANCE CHARACTERISTICS (DETAIL PERFORMANCE PER MIL-C-5809)

OVERLOAD CYCLING	-----	100 CYCLES AT 200% RATING
VIBRATION	-----	10 G'S 50-500 HZ
MECHANICAL SHOCK	-----	35 G'S AT 11.5 MILLISECOND DURATION
ACCELERATION	-----	10 G'S MINIMUM
SAND AND DUST	-----	12 HOURS
CORROSION	-----	SALT SPRAY 50 HOURS
HUMIDITY	-----	10 DAYS
EXPLOSION PROOF	-----	WHILE INTERRUPTING RUPTURE CURRENTS
ENDURANCE:		
120 VAC	-----	400 HZ INDUCTIVE ----- 2500 CYCLES
		RESISTIVE ----- 5000 CYCLES
30 VDC	-----	INDUCTIVE ----- 2500 CYCLES
		RESISTIVE ----- 5000 CYCLES
MECHANICAL	-----	5000 CYCLES
AUXILIARY CIRCUIT ENDURANCE		
5 - 120 VAC	INDUCTIVE 2 AMP	5000 CYCLES
	RESISTIVE 3 AMP	5000 CYCLES
5 - 30 VDC	INDUCTIVE 3 AMP	5000 CYCLES
	RESISTIVE 5 AMP	5000 CYCLES

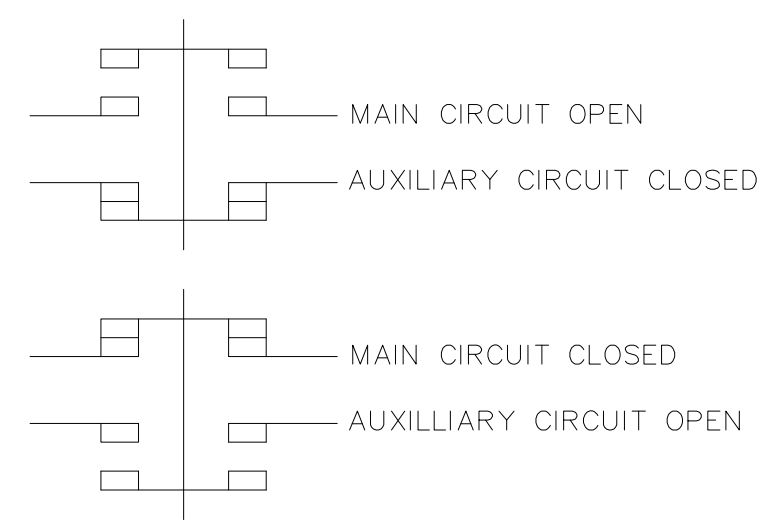
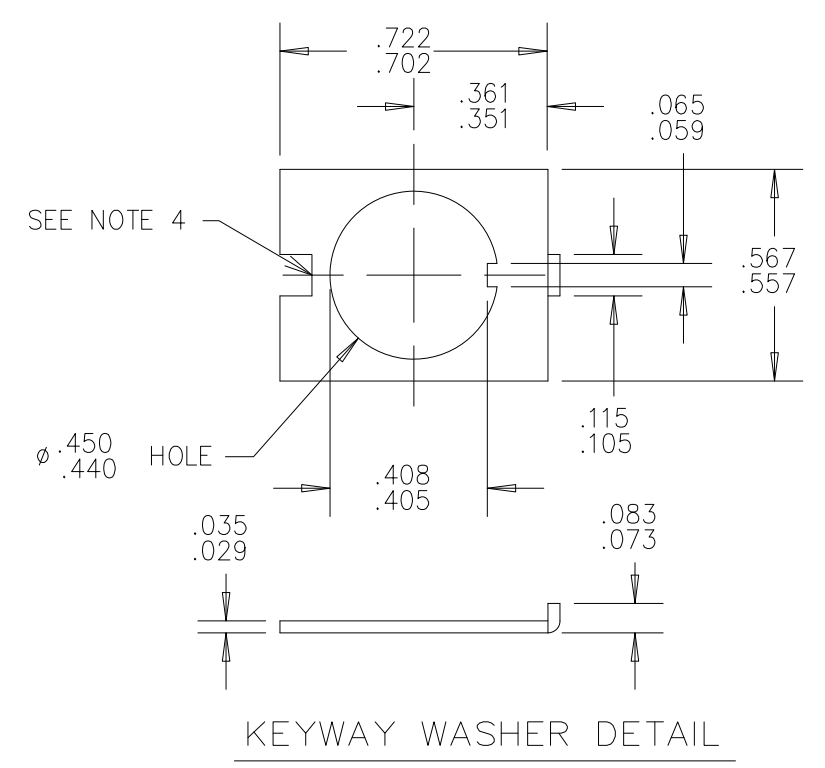
CALIBRATION:

AMBIENT TEMP.	MIN.ULT.TRIP	MAX.ULT.TRIP	200%	500%	1000%
+25°C	110% RATING	150% RATING	2-35 SEC.	.15-1.75 SEC.	.028-.8 SEC.

PART NO.	AMP RATING	MAXIMUM VOLTAGE DROP	CURRENT INTERRUPTING CAPACITY	
			120 VAC, 400 HZ	28 VDC
7277-1-1/2	1/2	2.00	UNLIMITED	UNLIMITED
7277-1-3/4	3/4	1.45	UNLIMITED	UNLIMITED
7277-1-1	1	1.10	UNLIMITED	UNLIMITED
7277-1-1 1/2	1 1/2	0.75	UNLIMITED	UNLIMITED
7277-1-2	2	0.75	800 AMPS	UNLIMITED
7277-1-2 1/2	2 1/2	0.70	800 AMPS	UNLIMITED
7277-1-3	3	0.55	800 AMPS	UNLIMITED
7277-1-4	4	0.45	800 AMPS	UNLIMITED
7277-1-5	5	0.35	800 AMPS	UNLIMITED
7277-1-7 1/2	7 1/2	0.30	500 AMPS	2000 AMPS
7277-1-10	10	0.28	500 AMPS	2000 AMPS
7277-1-15	15	0.25	500 AMPS	800 AMPS
7277-1-20	20	0.25	500 AMPS	800 AMPS
7277-1-25	25	0.25	500 AMPS	800 AMPS

NOTES:

- ALL MOUNTING HARDWARE HAS A DULL BLACK FINISH.
- WEIGHT ACTUAL: 25 GRAMS
- EPOXY SURFACES ARE NON-DIMENSIONED. ENVELOPE DRAWING DIMENSIONS DO NOT APPLY TO THESE PROJECTED EPOXY SURFACES.
- NON FUNCTIONAL NOTCH ON THE BACK OF THE KEYWAY WASHER IS OPTIONAL.
- DATE CODE SPEC: 10588-285



FOR REFERENCE ONLY, CHECK LATEST REVISION BEFORE USE. PARTS MADE TO THIS PRINT MUST CONFORM TO E9898 REV. E				529 PLEASANT STREET P.O. BOX 2964 ATTLEBORO, MA 02703
DRAWN CHAS. FLEURANT DATE 30-OCT-1991	ENGINEER K.B. GASSER DATE 09-MAR-1992 APPROVED	SENSATA TECHNOLOGIES PROPRIETARY AND CONFIDENTIAL. NEITHER THIS PRINT NOR THE INFORMATION CONTAINED HEREON IS TO BE USED AGAINST THE INTERESTS OF SENSATA TECHNOLOGIES OR AGAINST THE INTERESTS OF ANY OF ITS AFFILIATED COMPANIES OR WHOLLY OWNED SUBSIDIARIES. INTERPRET DIMENSIONING AND TOLERANCING PER ASME Y14.5-2009, UNLESS OTHERWISE SPECIFIED DIMENSIONS ARE IN INCHES. TOLERANCES DECIMALS ANGLES		
DATE APPROVED	DATE	TITLE 7277-1 TYPE PUSH-PULL TRIP FREE CIRCUIT BREAKER WITH AUX. CIRCUIT ENVELOPE DRAWING		REV. R
DATE	DATE	DO NOT SCALE DRAWING THIRD ANGLE PROJECTION	SIZE C	DWG NO. 7277-1
		SCALE 1:1	AUTOCAD	SHEET 1 OF 1

4

3

2

1