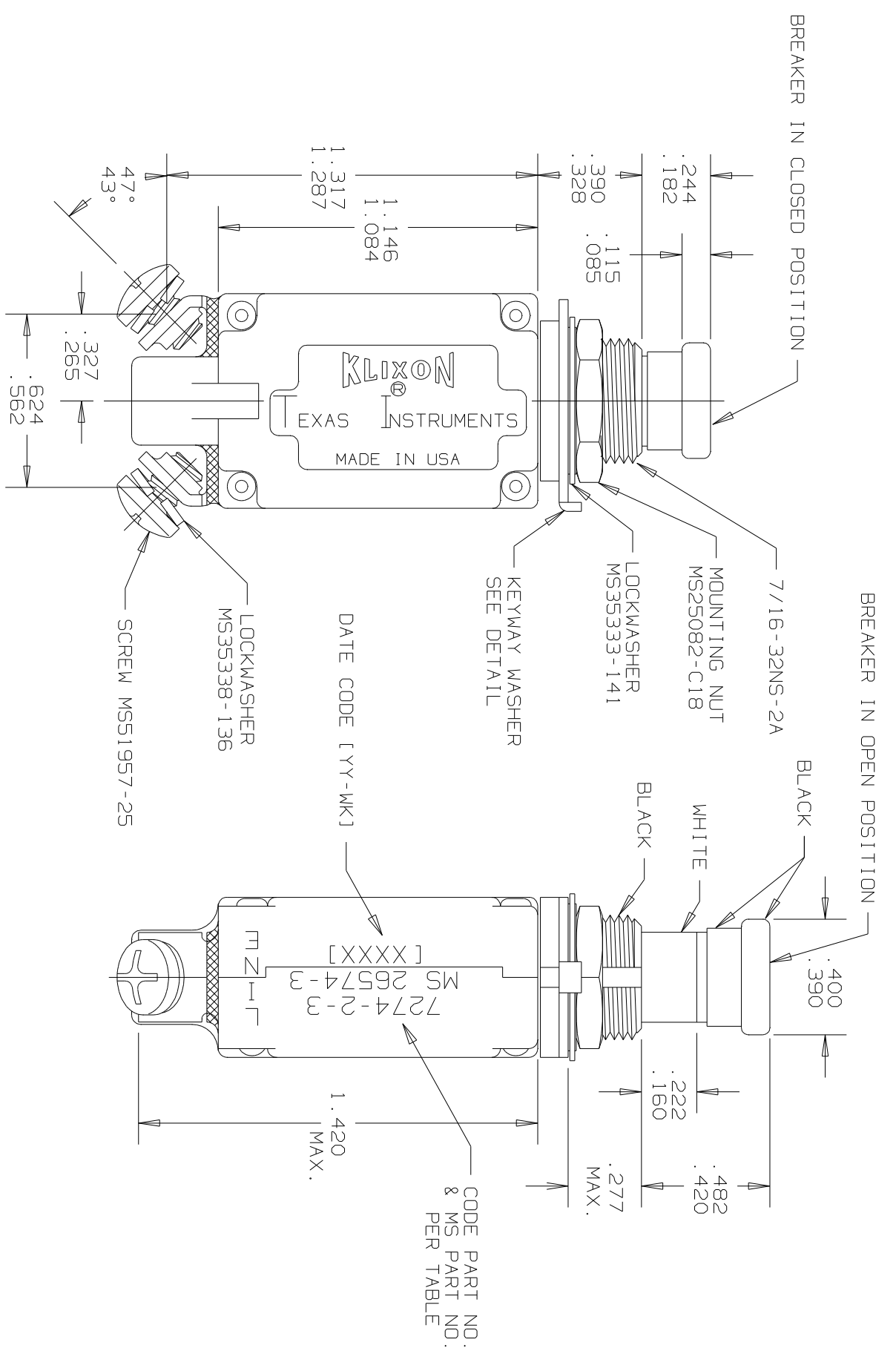
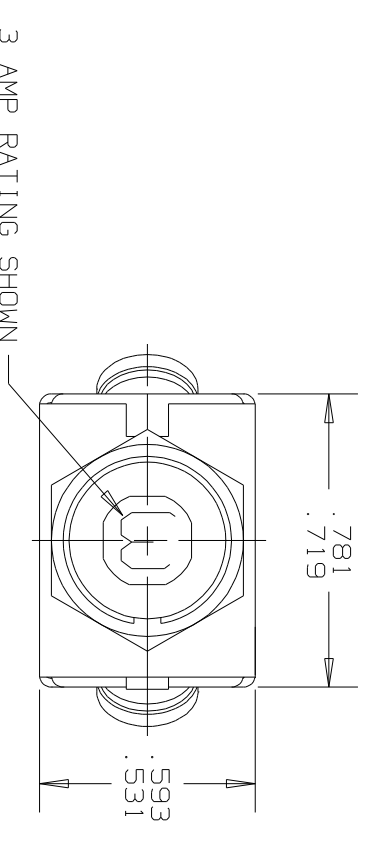
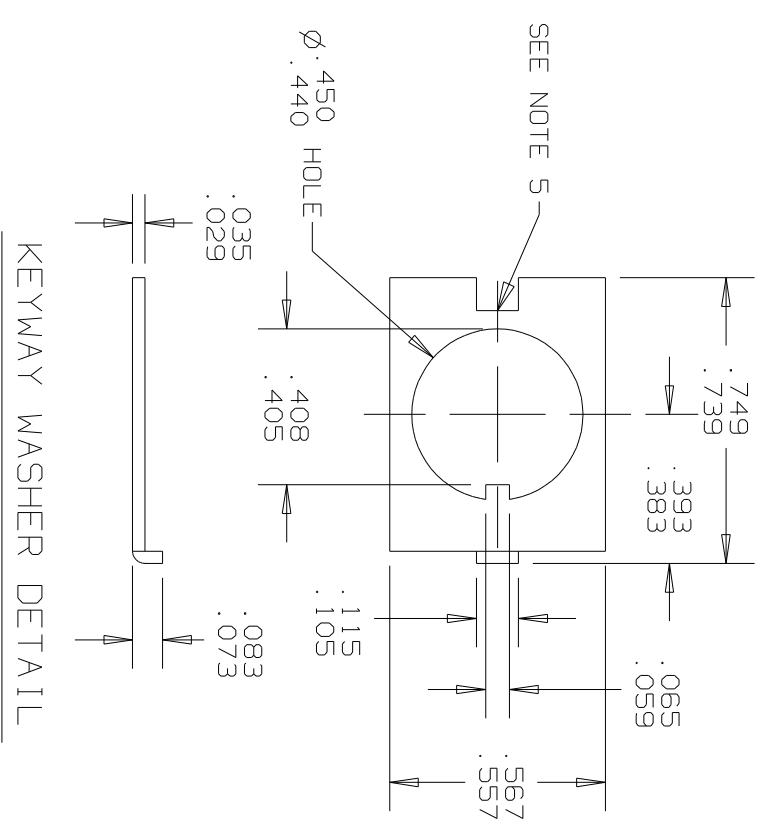


REVOLUTIONS		ZONE	LTR	DESCRIPTION	PROJ #	DATE	APPROVED
		AJ		ADDED PART NO. AND DATE CODE	CRM46903	JRB 11-5-99	K.H.S.



- NOTES:
1. ALL MOUNTING HARDWARE HAS A DULL BLACK FINISH.
 2. CIRCUIT BREAKERS ARE SUITABLE FOR MOUNTING IN A 1/8" THICK PANEL OR LESS.
 3. EPOXY SURFACES ARE NON-DIMENSIONED. ENVELOPE DIMENSIONS DO NOT APPLY TO THESE PROTECTED EPOXY SURFACES.
 4. 1/2 THRU 10 AMP CIRCUIT BREAKERS ARE QUALIFIED TO MS 26574.
 5. NON FUNCTIONAL NOTCH ON THE BACK OF THE KEYWAY WASHER IS OPTIONAL.
 6. DATE CODE PER 105288-285.

PERFORMANCE CHARACTERISTICS (DETAIL PERFORMANCE PER MIL-C-5809)

OVERLOAD CYCLING ----- 100 CYCLES AT 200% RATING
 SINUSOIDAL VIBRATION ----- 10 G'S 50-500 HZ
 MECHANICAL SHOCK ----- 30 G'S AT 11.0 MILLISECOND DURATION
 ACCELERATION ----- 10 G'S MINIMUM
 SAND AND DUST ----- 12 HOURS
 CORROSION ----- SALT SPRAY 48 HOURS
 HUMIDITY ----- 10 DAYS
 EXPLOSION PROOF ----- WHILE INTERRUPTING RUPTURE CURRENTS
 MOUNTING NUT TORQUE ----- 40 LB.-IN. MAX.
 MAXIMUM OPERATING ALTITUDE: 80,000 FT. (24,384 M)

WEIGHT: 28.0 GRAMS MAX.

MAXIMUM OPERATING FORCES: PULL OUT ----- 5 LBS. MAX. (22.2 N)
 RESET ----- 5 LBS. MAX. (22.2 N)

ENDURANCE: 120 VAC ----- 400 HZ INDUCTIVE ----- 2500 CYCLES
 30 VDC ----- 400 HZ RESISTIVE ----- 5000 CYCLES
 30 VDC ----- 5000 CYCLES INDUCTIVE ----- 2500 CYCLES
 NO LOAD ----- 5000 CYCLES RESISTIVE ----- 5000 CYCLES
 MECHANICAL ----- 5000 CYCLES

CALIBRATION:

AMBIENT TEMP. HOLD TRIP 200% 500% 1000%
 +25°C (+77°F) 115% RATING 150% RATING 2-20 SEC. .16-1.2 SEC. .046-0.8 SEC.
 -55°C (-67°F) 135% RATING 180% RATING -----
 *71°C (+160°F) 90% RATING 130% RATING -----

PART NO.	MS PART NO.	AMP RATING	VOLTAGE DROP	CURRENT INTERRUPTING CAPACITY
7274-2-1/2	MS 26574-1/2	1/2	2.00	UNLIMITED
7274-2-3/4	MS 26574-3/4	3/4	1.45	UNLIMITED
7274-2-1	MS 26574-1	1	1.10	UNLIMITED
7274-2-1 1/2	MS 26574-1 1/2	1 1/2	0.75	UNLIMITED
7274-2-2	MS 26574-2	2	0.75	UNLIMITED
7274-2-2 1/2	MS 26574-2 1/2	2 1/2	0.70	UNLIMITED
7274-2-3	MS 26574-3	3	0.55	UNLIMITED
7274-2-3 1/2	MS 26574-3 1/2	3 1/2	0.50	UNLIMITED
7274-2-4	MS 26574-4	4	0.45	UNLIMITED
7274-2-5	MS 26574-5	5	0.35	UNLIMITED
7274-2-7 1/2	MS 26574-7 1/2	7 1/2	0.30	UNLIMITED
7274-2-10	MS 26574-10	10	0.28	UNLIMITED
7274-2-15	MS 26574-15	15	0.25	UNLIMITED
7274-2-20	MS 26574-20	20	0.25	UNLIMITED

THIS DWG. SUPERSEDES 7274-2 REV. "AH", DATED 9-9-97

UNLESS OTHERWISE SPECIFIED DIMENSIONS ARE IN INCHES	DRAWN TOM DAIL	DATE 1-14-91	<p>TEXAS INSTRUMENTS ATTLEBORO, MASSACHUSETTS 02703</p>	<p>Klixon CONTRL. PRODUCTS DIVISION</p>
TOLERANCE ON ANGLES	ENGINEER K.B. GASSER	11-4-92		
MATERIAL	APPROVED	12-21-94	TITLE 7274-2 STYLE CIRCUIT BREAKER PUSH-PULL, TRIP FREE ENVELOPE DRAWING	
	SIGNATURES ON FILE. REFER TO ELECTRONIC CHANGE NOTICE.		SIZE CODE IDENT. NO. C 82647	7274-2