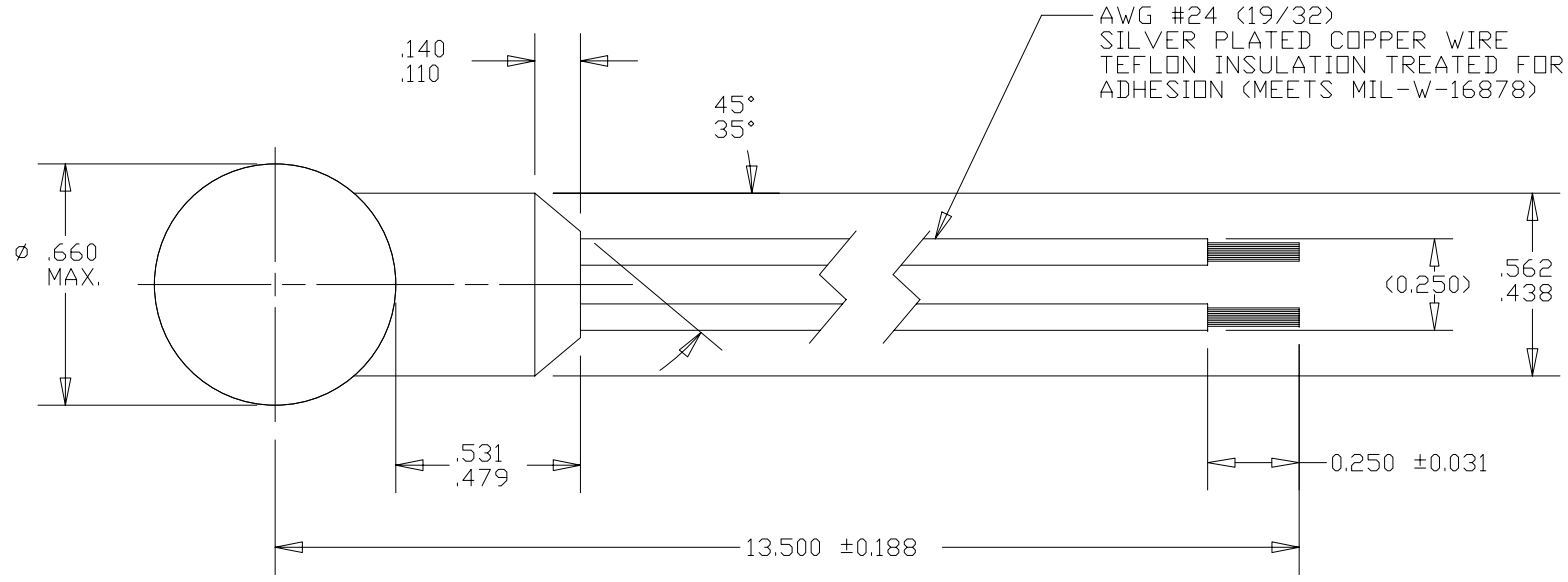


Property of  
Sensata Technologies

ZONE	REV.	REVISION DESCRIPTION	ECN NO.	DATE
B3	E	(.031) WAS .031 MAX; (.045) WAS .042 MAX; PD RE-DOC IN DWGEDITOR	ECN0045645	02-OCT-2008



EACH PART NUMBER CONTAINS ELEVEN CHARACTERS WHICH CAN BE DIVIDED INTO FOUR SECTIONS OF SIGNIFICANCE, AND A DASH NUMBER WHICH INDICATES SPECIAL CHARACTERISTICS. THE EXPLANATION BELOW IS FOR GENERAL REFERENCE.

M2S □ □ □ □ □ □ □ □ □ □ □ □

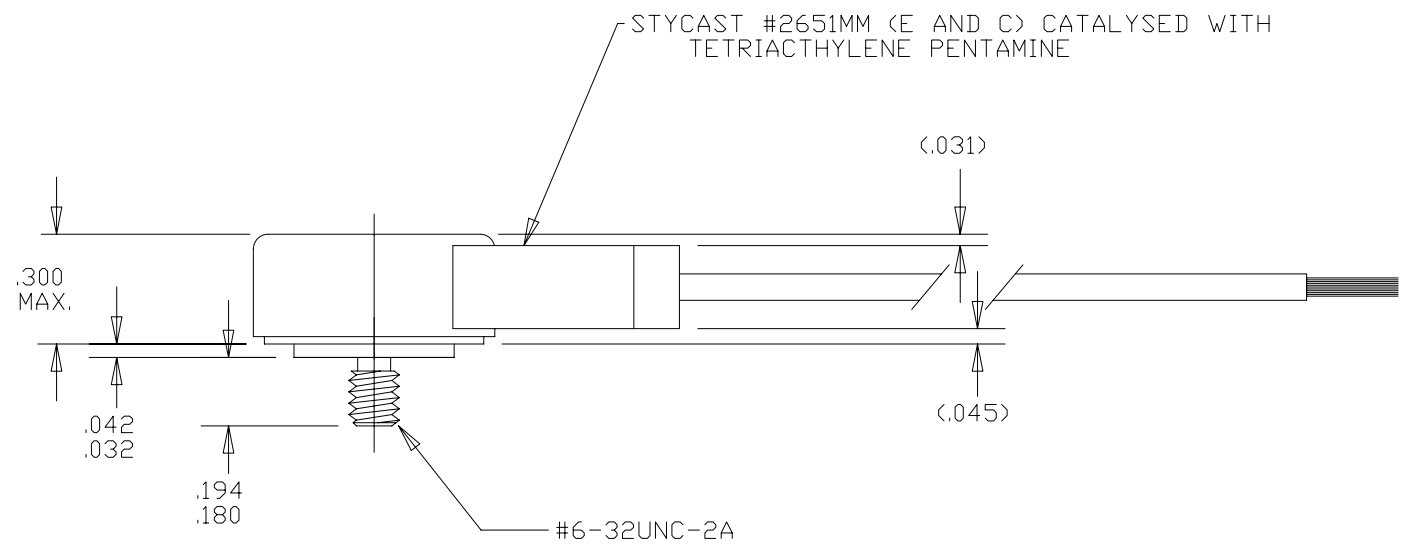
- L = OPEN ON TEMPERATURE RISE +°F
- F = CLOSE ON TEMPERATURE RISE +°F
- B = OPEN ON TEMPERATURE RISE -°F
- M = CLOSE ON TEMPERATURE RISE -°F

CLOSING TEMPERATURE °F

PLUS AND MINUS TOLERANCE FOR CLOSING TEMPERATURE

DIFFERENTIAL:  
05 INDICATES 2° - 5°F DIFF.  
09 INDICATES 5° - 9°F DIFF.

THIS IS A DASH NO. WHICH IS ASSIGNED CONSECUTIVELY AS REQUIRED FOR IDENTIFYING NEW VARIATIONS IN PHYSICAL DESIGN AND/OR RATING WHICH ARE IN THE SPECIAL CATEGORY.



FOR REFERENCE ONLY, CHECK LATEST REVISION BEFORE USE. PARTS MADE TO THIS PRINT MUST CONFORM TO E9898 REV. E		529 PLEASANT STREET P.O. BOX 2964 ATTLEBORO, MA 02703	
DRAWN G.GRITTMANN DATE 19-NOV-1968	ENGINEER J.DOHERTY DATE 19-NOV-1968	TITLE M2S-39 STYLE THERMOSTAT SPST AUTO. RESET SEALED NARROW DIFFERENTIAL ENVELOPE DRAWING	
APPROVED	DATE	SIZE B	DWG NO. <b>M2S-39</b>
APPROVED	DATE	SCALE 1:1	REV. E
DO NOT SCALE DRAWING	THIRD ANGLE PROJECTION	AUTOCAD	SHEET 1 OF 1

DEVICE: PROJECT: 1