

KLIXON[®] | Mini 100

Circuit Breaker

KEY BENEFITS

Ratings up to 30 amps with a color tap cover

Protection device to guard against momentary overloads

Bimetallic device is sensitive to both over-current and over-temperature fault conditions

Secondary Circuit Protection

The MINI 100 Series circuit breaker is designed as a drop-in replacement for mini type fuses for use in critical safety circuits, or where an automatic resettable protection is needed. The MINI 100 is available in ratings up to 30 amps with a color tap cover.

With an exceptional a history of more than 90 years, Sensata Technologies is leading supplier of sensors and bimetal switches.

OVERVIEW

Sensata Technologies MINI 100 Footprint Series of circuit breakers are designed for wiring harness protection in 12V/24V DC automotive, agriculture, marine, and robotic applications. The MINI 100 is an ideal protection device to guard against momentary overloads. The MINI 100 can be mounted in a 280 and/or ATM footprints also known as MINI mini-fuse location. Optional mounting needs can be addressed by contacting Sensata Technologies. This bimetallic device is sensitive to both

over-current and over-temperature fault conditions. This device is especially designed with a Secondary Circuit Protection that uses a fusible link as backup protection for end of life failure modes of the device. Sensata Technologies is an ISO and QS registered company providing world-class quality products.

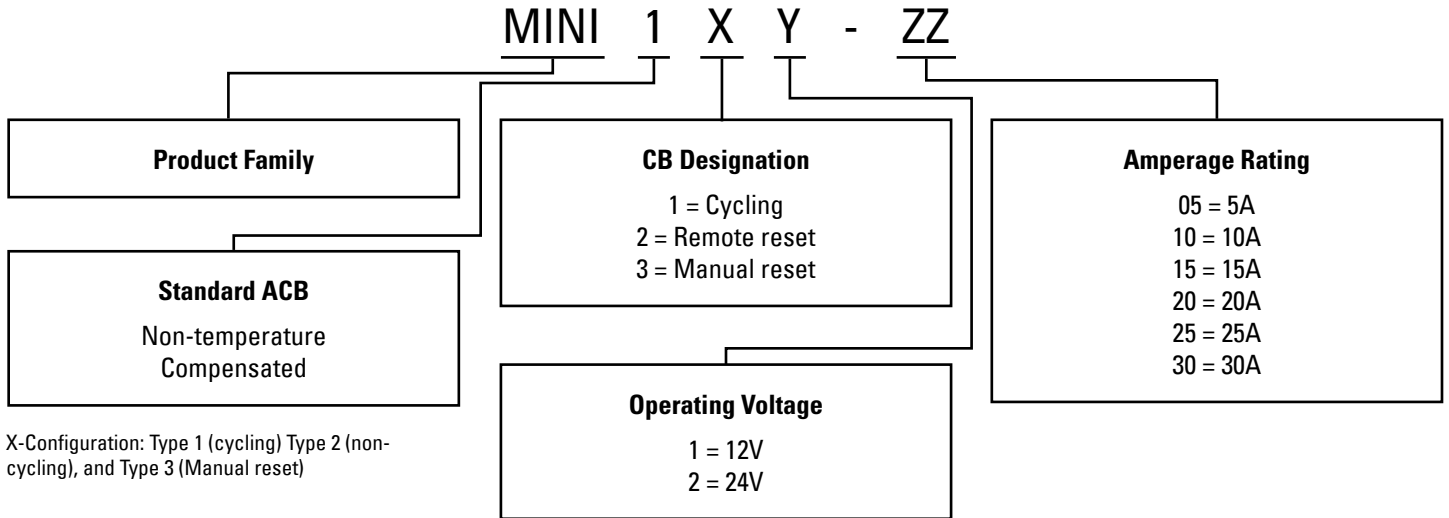
BENEFITS

- Includes an internal Secondary Current Protection(SCP) option
- The SCP is designed for short circuit protection similar to a fusible link with the benefit of a resettable circuit breaker feature.
- 24V and SAE Type 3 versions under development. Contact Sensata Technologies for further information.
- Includes a robust plastic design cover with optional cap colors for easy part identification
- Cooler terminal and cover temperature design
- Exceeds SAE J553 requirements

Table Current re-rating with ambient temperature

NOMINAL CURRENT RATING (A)	Color Coding Top cap Cover	DE-RATED CURRENTS @ AMBIENT TEMPERATURES		
		-40°C	25°C	85°C
5	Tan	6.26	5	3.5
7.5	Brown	9.4	7.5	5.25
10	Red	12.5	10	7
15	Blue	18.5	15	10.5
20	Yellow	25	20	14
25	White	31	25	17.5

CONFIGURATION

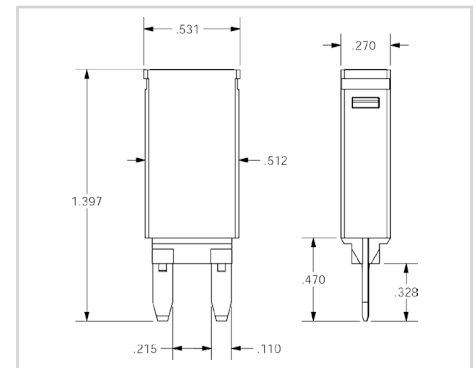
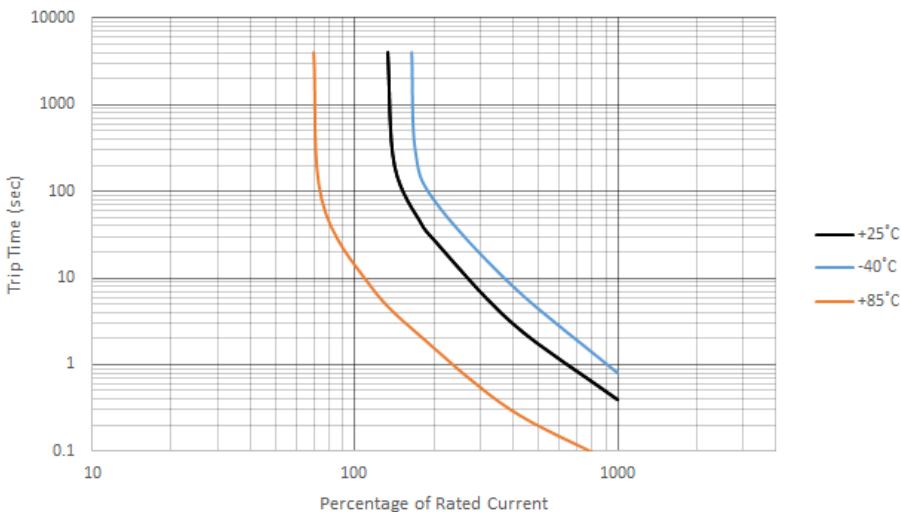


Specifications

Nominal Operating Voltage	DC 14V*, DC 24V
Voltage Drop at Operating current	150 mV max
Nominal Current Rating	5 to 30 amps @ 25 C
Operational Temperature Range	40°C to 85°C (nominal temperature of 25°C)
Polarity	Independent of circuit polarity

*The circuit breaker must operate within the range of 9.0 to 16.0 Volts DC. Nominal intended voltage is 14.0 volts DC. Unless otherwise specified, testing by customers should be conducted at 14V DC.

MINI100 Trip Time Performance



These curves are to be used only as a guide in selecting a protector for a particular application. Final trip times are dependent upon the type of application and are the responsibility of the application engineer to determine through appropriate testing.



The World Depends on Sensors and Controls

Sensata Technologies
529 Pleasant Street, MS B19
Attleboro, MA 02703-2964
Phone: 1-508-236-3800
Fax: 1-508-236-2349
Web: www.sensata.com

Important Notice: Sensata Technologies reserves the right to make changes to, or to discontinue, any product or service identified in this publication without notice. Before placing orders, users should obtain the latest version of the relevant information to verify that the information being relied upon is current.

Sensata Technologies assumes no responsibility for customers' product designs or applications. Users must determine the suitability of the Sensata device described in this publication for their application, including the level of reliability required. Many factors beyond Sensata's control can affect the use and performance of a Sensata product in a particular application, including the conditions under which the product is used and the time and environmental conditions in which the product is expected to perform. As these factors are uniquely within the user's knowledge and control, it is essential that the user evaluate the Sensata product to determine whether it is fit for a particular purpose and suitable for the user's application.

Sensata Technologies products are sold subject to Sensata's Terms and Conditions of Sale which can be found at www.sensata.com/terms.htm

Printed in U.S.A. Revised April 17, 2017.