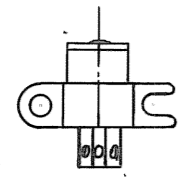


Property of
Sensata Technologies



ACTUAL SIZE

CHARACTERISTICS

CONTACT ARRANGEMENT S.P.D.T.
 ACTUATION FORCE 30 OZ. MAX. AT S.T.P.
 RELEASE FORCE 4 OZ. MIN. AT S.T.P.
 PRETRAVEL .008 MAX.
 MOVEMENT DIFFERENTIAL .005 MAX. (K1)
 OVERTRAVEL .003 MIN.
 LIFE AT RATED LOAD 25,000 CYCLES
 AMBIENT TMEP. RANGE -85°F. TO +275°F.
 MAX. ALLOWED APPLIED FORCE TO ACTUATOR 5 LBS.
 DIELECTRIC STRENGTH ACROSS - OPEN TERMINALS 800 VRMS
 TERMINALS TO CASE 1000 VRMS
 VOLTAGE DROP AT 1 AMP .040 PLUS .011 PER FOOT OF LEAD
 SEAL CLASS '5' HERMETIC PER MIL-S-8805C
 MAX. ALLOWED LEAKAGE 1X10⁻⁸ STD. CC HE/SEC
 BACKFILL DRY NITROGEN (10% He TRACER GAS)
 CURRENT CAPACITY

SEA LEVEL AND 70,000 FT. ALTITUDE	
LOAD	28 VOLTS DC
RESISTIVE	4 AMP
INDUCTIVE	1 AMP
LAMP	2 AMP

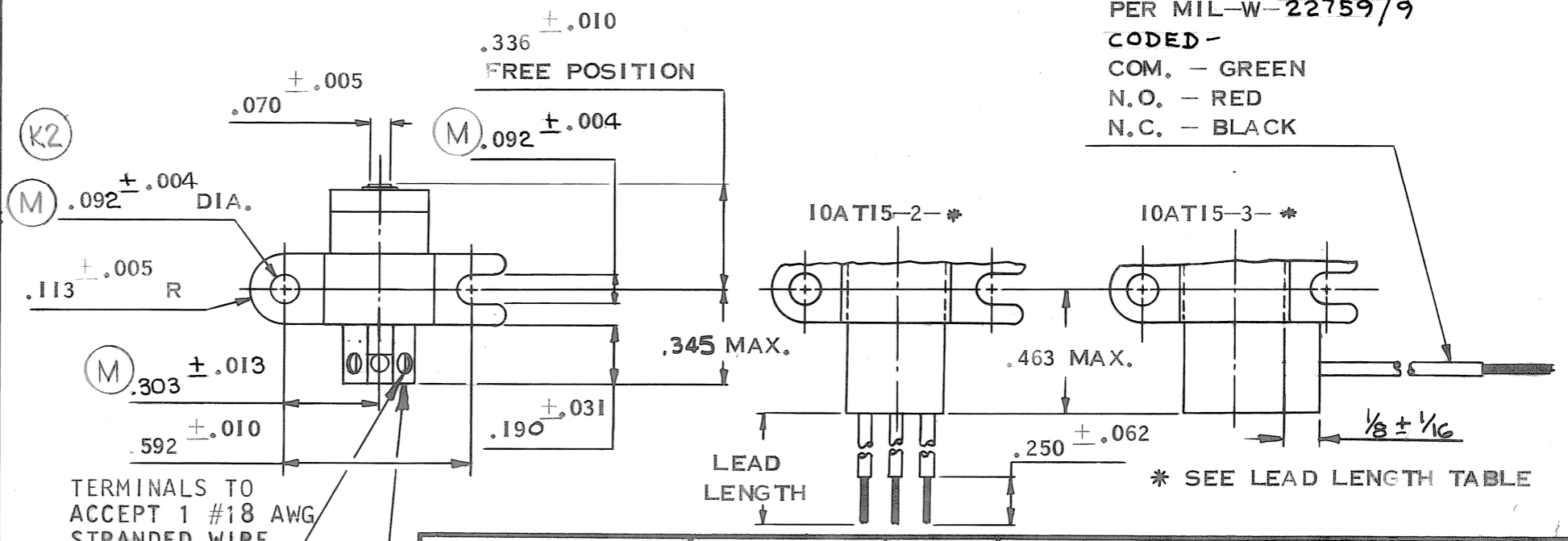
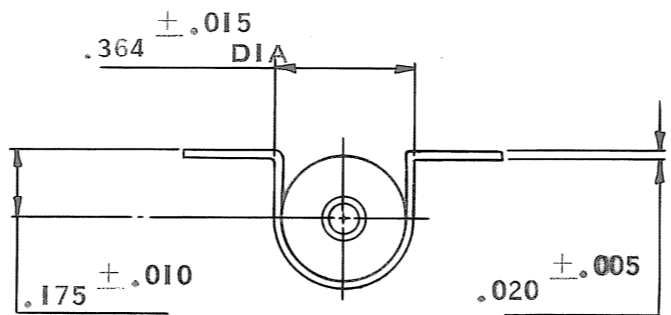
SHOCK RESISTANCE (WITHOUT CONTACT CHATTER) 200 G'S (K3)
 VIBRATION RESISTANCE (10-3000HZ) WITHOUT CONTACT CHATTER 65 G'S
 WEIGHT .160Z PLUS .10 OZ PER LEAD PER FT. OF WIRE
 MILITARY EQUIVALENT PART NUMBER UNDER MIL-S-8805

T. I. PART NO.	MILITARY PART NO.
10AT15-01	M8805/68-026
10AT15-02-10	M8805/68-027
10AT15-03-10	M8805/68-028

R MIL-W-22759/9 WAS MIL-W-16878, TYPE EE CRM05844 @.K. 7-15-91
 T RESISTIVE WAS 7AMP CRM21201 RJM 10-12-95 JF
 U MIL P/N WAS M8805/68-012,-013,-014 RJM 1-17-96 JF CRM 25154

REVISIONS				
ZONE	LTR	DESCRIPTION	DATE	APPROVED
-	✓	REDRAWN-ADDED TABLE CR. 27599 J.P.	6-12-69	E.W. HBS
-	K	SEE C.N. CR 47948 H	5-11-72	CEJ
-	L	SEE D.C.N. CR51577 BC	6-22-73	CEJ
-	M	DIM. .303 ±.013 WAS .296 ±.010 ALSO DIM. .092 ±.004 WAS .090 ±.003 CR92638 RJM	11-10-83	PDS
-	N	SEE C.N. C.R. 94787 N.A.	3-4-85	M.J.F.
-	P	SEE CN CR 96816 H	1-15-86	P7M

PART NO. EXAMPLE				
10AT	15-	0	1	-1
BASIC SWITCH	ENVELOPE CONFIGURATION	0=SPDT 1=SPST-N.C. 2=SPST-N.O.	1=NO LEADS 2=LEADS PARALLEL TO AXIS OF SWITCH 3=LEADS AT RIGHT ANGLE TO AXIS OF SWITCH	1= 6" MIN. 2=12" 3=18" 4=24" 5=30" 6=36" 7=42" 8=48" 9=60" 10=72"



AWG #20 WIRE LEADS PER MIL-W-22759/9
 CODED - COM. - GREEN
 N.O. - RED
 N.C. - BLACK

TERMINALS TO ACCEPT 1 #18 AWG STRANDED WIRE

TERMINAL IDENTIFICATION (ON GLASS)
 COM. - GREEN
 N.O. - PINK
 N.C. - BLACK

UNLESS OTHERWISE SPECIFIED DIMENSIONS ARE IN INCHES	BY J. PEARSON	DATE 6-12-69	METALS & CONTROLS INC. ATTLEBORO, MASSACHUSETTS, U.S.A. A CORPORATE DIVISION OF TEXAS INSTRUMENTS INCORPORATED	CONTROL PRODUCTS GROUP
TOLERANCE ON FRACTIONS DECIMALS ANGLES	CH. E. Whipple	6-13-69		
MATERIAL	ENG. E. Whipple	6-13-69		
APPROVED H. Boulanger 1/16/69			HERMETICALLY SEALED S.P.S.T. OR S.P.D.T. SWITCH BRACKET MOUNT ENVELOPE DRAWING	
SIZE B CODE IDENT NO. 82647				
SCALE 2"-1"			SHEET	

SUPERSEDES 10AT15 REV. H, 3-20-69