

Property of  
Texas Instruments

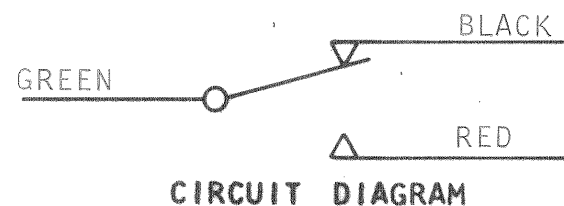
**CHARACTERISTICS**

CONTACT ARRANGEMENT ----- S.P.D.T. OR S.P.S.T.  
 ACTUATION FORCE AT 75°F, 1 ATMOS - 30 OZ. MAX.  
 RELEASE FORCE AT 75°F, 1 ATMOS --- 4 OZ. MIN.  
 PRETRAVEL ----- .010 IN. MAX.  
 MOVEMENT DIFFERENTIAL ----- .005 IN. MAX.  
 OVERTRAVEL ----- .060 IN. MIN.  
 LIFE AT RATED LOAD ----- 25,000 CYCLES  
 AMBIENT TEMPERATURE RANGE ----- -85°F TO +275°F  
 FORCE ALLOWED ON TOP OF NECK MTS. ----- 10 LBS.  
 DIELECTRIC STRENGTH ACROSS:  
 OPEN TERMINALS ----- 800 VRMS  
 TERMINALS TO CASE ----- 1000 VRMS  
 VOLTAGE DROP AT 1 AMP ----- .040 VOLTS PLUS .011 PER FOOT OF LEAD  
 SEAL ----- CLASS 5 HERMETIC PER MIL-S-8805  
 MAXIMUM ALLOWED LEAKAGE ----- 1X10<sup>-8</sup> STD. CC HE/SEC.  
 BACKFILL ----- DRY NITROGEN  
 MILITARY EQUIVALENT PART NUMBERS UNDER MIL-S-8805  
 T.I. PART NO. MILITARY PART NO.  
 10AT361-02-10 M8805/72-034  
 10AT361-03-10 M8805/72-036

**CURRENT CAPACITY**

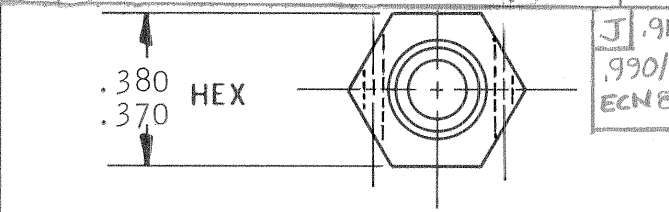
SEA LEVEL AND 70,000 FT. ALTITUDE		
LOAD	28 VOLTS D.C.	
RESISTIVE	4 AMPS	
INDUCTIVE	1 AMP	
LAMP	2 AMPS	

SHOCK RESISTANCE (WITHOUT CONTACT CHATTER) ----- 200 G'S  
 VIBRATION RESISTANCE (10-3000 HZ) (WITHOUT CONTACT CHATTER) ----- 65 G'S  
 WEIGHT ----- 0.5 OZ. PLUS .10 OZ. PER LEAD PER FOOT OF WIRE

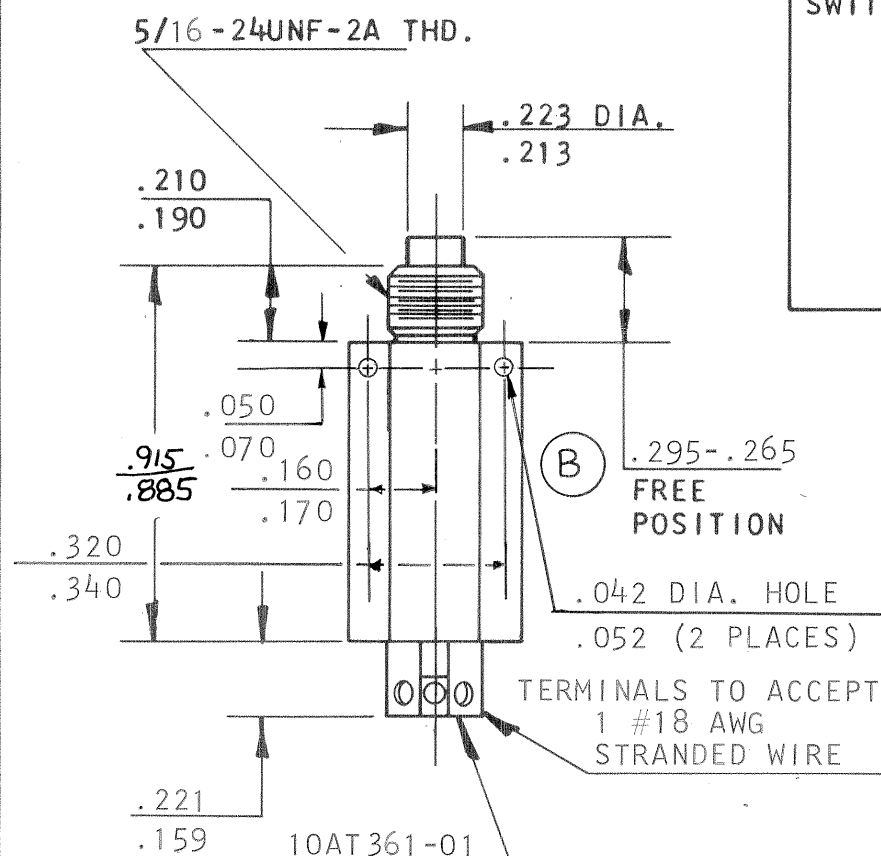


E	SEE C.N. CR 96816	1-15-72	P7M
F	MIL-W-22759/9 WAS MIL-W-16878/5(TYPFEE) CR M05844 D.C.	7-15-91	CF
G	RESISTIVE WAS 7AMP, MIL PIN WAS M8805/72-018,-020 CRM25159 RJM	1-17-96	JF
H	1039 WAS-026; 036 WAS-028 ECN0005597 PM	12-7-01	JF

REVISIONS				
ZONE	LTR	DESCRIPTION	DATE	APPROVED
-	-	IST. ISSUE FOR 10AT361 CR. 45918 BJA	1-12-72	E.W.
-	A	SEE C.N., C.R. 47960	J.M. 8-16-72	E.W.
-	B	ADDED (2) <sup>.042</sup> / <sub>.052</sub> HOLES CR 52687	RLB 11-6-73	D.J.
-	CA	SEE C.N. CR. 52030	L.S. 1-8-74	D.J.
-	D	SEE C.N. CR 94797	N.A. 3-5-85	R.P.S.

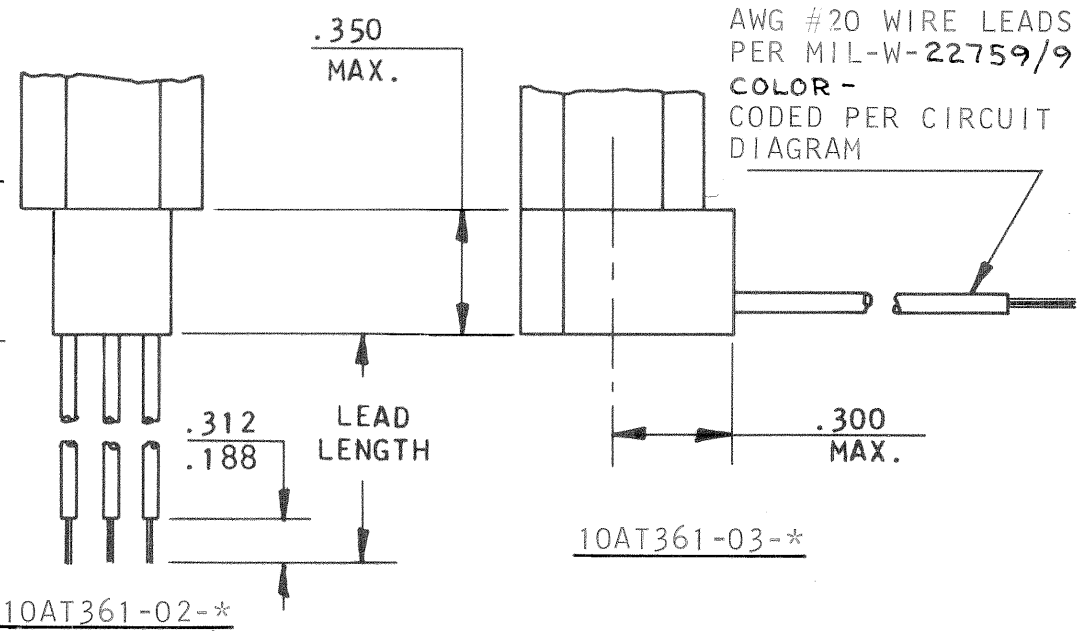


J .915/.885 WAS .990/.960 10-18-02 ECN8680 GML



**TERMINAL IDENTIFICATION ON BASE OF SWITCH**  
 GREEN - COM.  
 RED - N.O.  
 BLACK - N.C.

PART NO. EXAMPLE				
10AT	361-	1	2	-1
BASIC SWITCH	ENVELOPE CONFIGURATION	0=SPDT 1=SPST-N.C. 2=SPST-N.O.	1=NO LEADS 2=LEADS PARALLEL TO AXIS OF SWITCH 3=LEADS AT RIGHT ANGLE TO AXIS OF SWITCH	LEAD LENGTH 1= 6" MIN. 2=12" 3=18" 4=24" 5=30" 6=36" 7=42" 8=48" 9=60" 10=72"



\* SEE LEAD LENGTH TABLE

UNLESS OTHERWISE SPECIFIED DIMENSIONS ARE IN INCHES	BY B. NICKERSON.	DATE 1-12-72	<b>TEXAS INSTRUMENTS</b> INCORPORATED ATTEBORO, MASSACHUSETTS, U.S.A.	<b>KLIXON</b> CONTROL PRODUCTS DIVISION
TOLERANCE ON FRACTIONS DECIMALS ANGLES / / /	CH. E. Whipple	1-13-72		
MATERIAL	ENG. E. Whipple	1-13-72	TITLE HERMETICALLY SEALED SPST OR SPDT SWITCH PLUNGER ACTUATED ENVELOPE DRAWING	
APPROVED E. Whipple	SIZE B	CODE IDENT NO. 82647	10AT361	
	SCALE 2:1	SHEET 1 OF 1		