

Property of
Sylvania Technologies

CHARACTERISTICS

CONTACT ARRANGEMENT ----- S.P.D.T. OR S.P.S.T.
 ACTUATION FORCE AT 75°F, 1 ATMOS - 30 OZ. MAX.
 RELEASE FORCE AT 75°F, 1 ATMOS --- 4 OZ. MIN.
 PRETRAVEL ----- .010 IN. MAX.
 MOVEMENT DIFFERENTIAL ----- .005 IN. MAX.
 OVERTRAVEL ----- .060 IN. MIN.
 LIFE AT RATED LOAD ----- 25,000 CYCLES
 AMBIENT TEMPERATURE RANGE ----- -85°F TO +275°F
 FORCE ALLOWED ON TOP OF NECK MTS. ----- 10 LBS.
 DIELECTRIC STRENGTH ACROSS:
 OPEN TERMINALS ----- 800 VRMS
 TERMINALS TO CASE ----- 1000 VRMS
 VOLTAGE DROP AT 1 AMP. ----- .040 VOLTS PLUS .011 PER FOOT OF LEAD
 SEAL ----- CLASS 5 HERMETIC PER MIL-S-8805
 MAXIMUM ALLOWED LEAKAGE ----- 1X10⁻⁸ STD. CC HE/SEC.
 BACKFILL ----- DRY NITROGEN

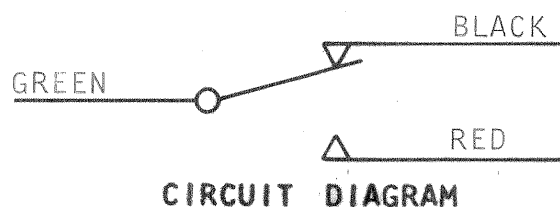
MILITARY EQUIVALENT PART NUMBERS UNDER MIL-S-8805

T.I. PART NO.	MILITARY PART NO.
10AT362-02-10	M8805/72-038
10AT362-03-10	M8805/72-040

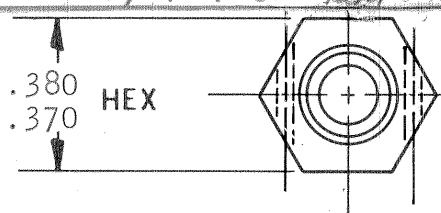
CURRENT CAPACITY

SEA LEVEL AND 70,000 FT. ALTITUDE	
LOAD	28 VOLTS D.C.
RESISTIVE	4 AMPS
INDUCTIVE	1 AMP
LAMP	2 AMPS

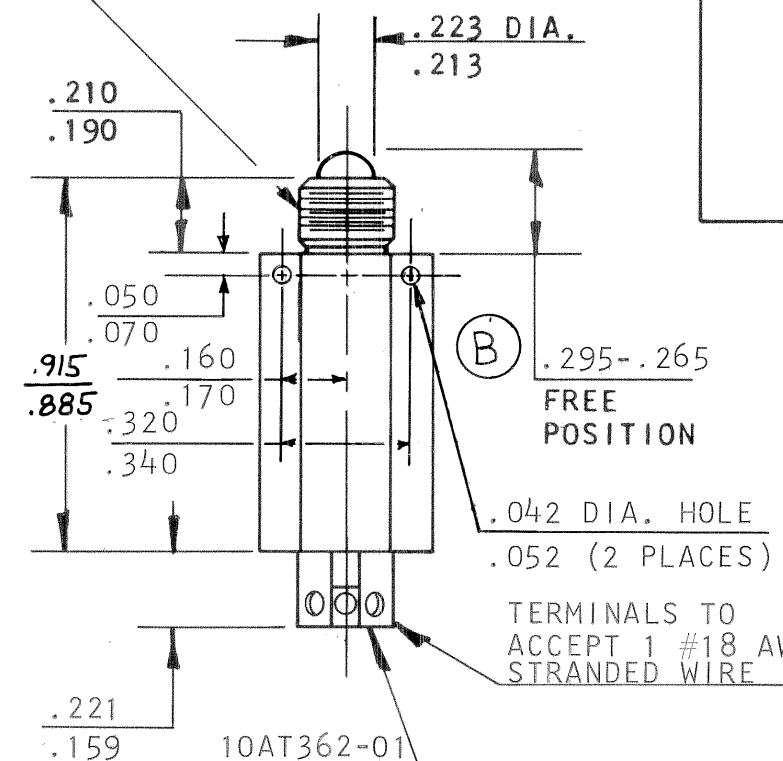
SHOCK RESISTANCE (WITHOUT CONTACT CHATTER) ----- 200 G'S
 VIBRATION RESISTANCE (10-3000 HZ) (WITHOUT CONTACT CHATTER) ----- 65 G'S
 WEIGHT ----- 0.5 OZ. PLUS .10 OZ. PER LEAD PER FOOT OF WIRE



REVISIONS				
ZONE	LTR	DESCRIPTION	DATE	APPROVED
-	-	1ST. ISSUE FOR 10AT362 C.R.45918 B.N.	1-12-72	E.W.
-	A	SEE C.N., C.R. 47960	J.M. 8-16-72	E.W.
-	B	ADDED (2) ^{.042} / _{.052} HOLES CR52687	RLB 11-6-73	D.J.
-	C	SEE C.N. C.R. 52030	L.S. 1-8-74	A.J.
-	D	SEE C.N. C.R. 94797	N.A. 3-5-85	P.P.



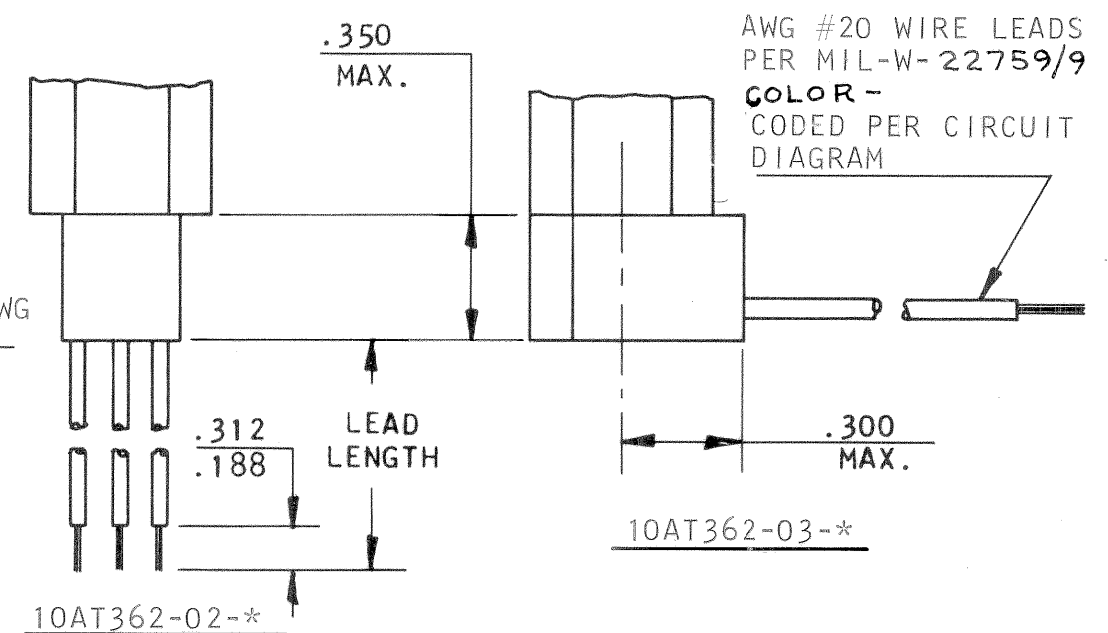
5/16-24UNF-2A THD.



TERMINAL IDENTIFICATION ON BASE OF SWITCH
 GREEN - COM.
 RED - N.O.
 BLACK - N.C.

* SEE LEAD LENGTH TABLE

PART NO. EXAMPLE				
10AT	362-	1	2	-1
BASIC SWITCH	ENVELOPE CONFIGURATION	0=SPDT 1=SPST-N.C. 2=SPST-N.O.	1=NO LEADS 2=LEADS PARALLEL TO AXIS OF SWITCH 3=LEADS AT RIGHT ANGLE TO AXIS OF SWITCH	LEAD LENGTH 1= 6" MIN. 2=12" 3=18" 4=24" 5=30" 6=36" 7=42" 8=48" 9=60" 10=72"



UNLESS OTHERWISE SPECIFIED DIMENSIONS ARE IN INCHES	BY B.NICKERSON	DATE 1-12-72	TEXAS INSTRUMENTS INCORPORATED ATTLEBORO, MASSACHUSETTS, U.S.A.	KLIXON CONTROL PRODUCTS DIVISION
TOLERANCE ON FRACTIONS DECIMALS ANGLES	CH E. Whipple	1-13-72		
MATERIAL	ENG. E. Whipple	1-13-72	TITLE HERMETICALLY SEALED SPST OR SPDT SWITCH PLUNGER ACTUATED ENVELOPE DRAWING	
APPROVED E. Whipple			SIZE B	CODE IDENT NO. 82647
			SCALE 2:1	SHEET 1 OF 1