

CHARACTERISTICS

CONTACT ARRANGEMENT	S.P.S.T. OR S.P.D.T.
ACTUATION FORCE	30 OZ. MAX.
RELEASE FORCE	4 OZ. MIN.
PRETRAVEL	.010 MAX.
MOVEMENT DIFFERENTIAL	.005 MAX.
OVERTRAVEL	.125 MIN.
LIFE AT RATED LOAD	25,000 CYCLES
AMBIENT TEMPERATURE RANGE	-85°F TO +275°F
DIELECTRIC STRENGTH ACROSS:	
OPEN TERMINALS	800 VRMS (5 SEC.)
TERMINALS TO CASE	1000 VRMS (5 SEC.)
VOLTAGE DROP AT 1 AMP	.040 PLUS .021 PER FOOT OF LEAD
SEAL	CLASS 5 (HERMETIC) PER MIL-S-8805
MAX. ALLOWED LEAKAGE	1X10 ⁻⁸ STD. CC HE/SEC.
BACKFILL	DRY NITROGEN
MAX. FORCE ALLOWED ON TOP OF ACTUATOR	30 LBS.

CURRENT CAPACITY

SEA LEVEL AND 70,000 FT. ALTITUDE	
LOAD	28 VOLTS D.C.
RESISTIVE	4 AMPS
INDUCTIVE	1 AMPS
LAMP	2 AMPS

SHOCK RESISTANCE

WITHOUT CONTACT CHATTER	200 G'S
VIBRATION RESISTANCE (55-2000 HZ)	
WITHOUT CONTACT CHATTER	65 G'S
WEIGHT (INCLUDING HARDWARE)	1.0 OZ. PLUS .10 OZ. PER LEAD PER FOOT OF WIRE

MILITARY EQUIVALENT PART NUMBERS UNDER MIL-S-8805

T.I. PART NO.	MILITARY PART NO.
10AT366-02-10	M8805/74-035
10AT366-03-10	M8805/74-037

MOUNTING HARDWARE STANDARD ON ALL SWITCHES

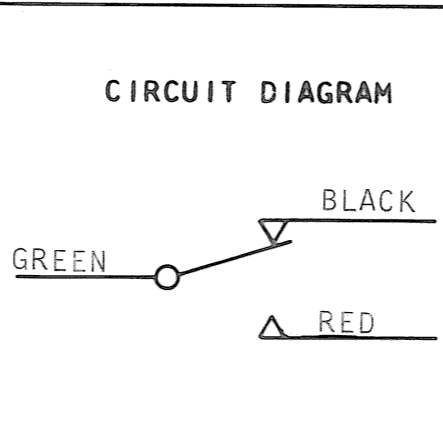
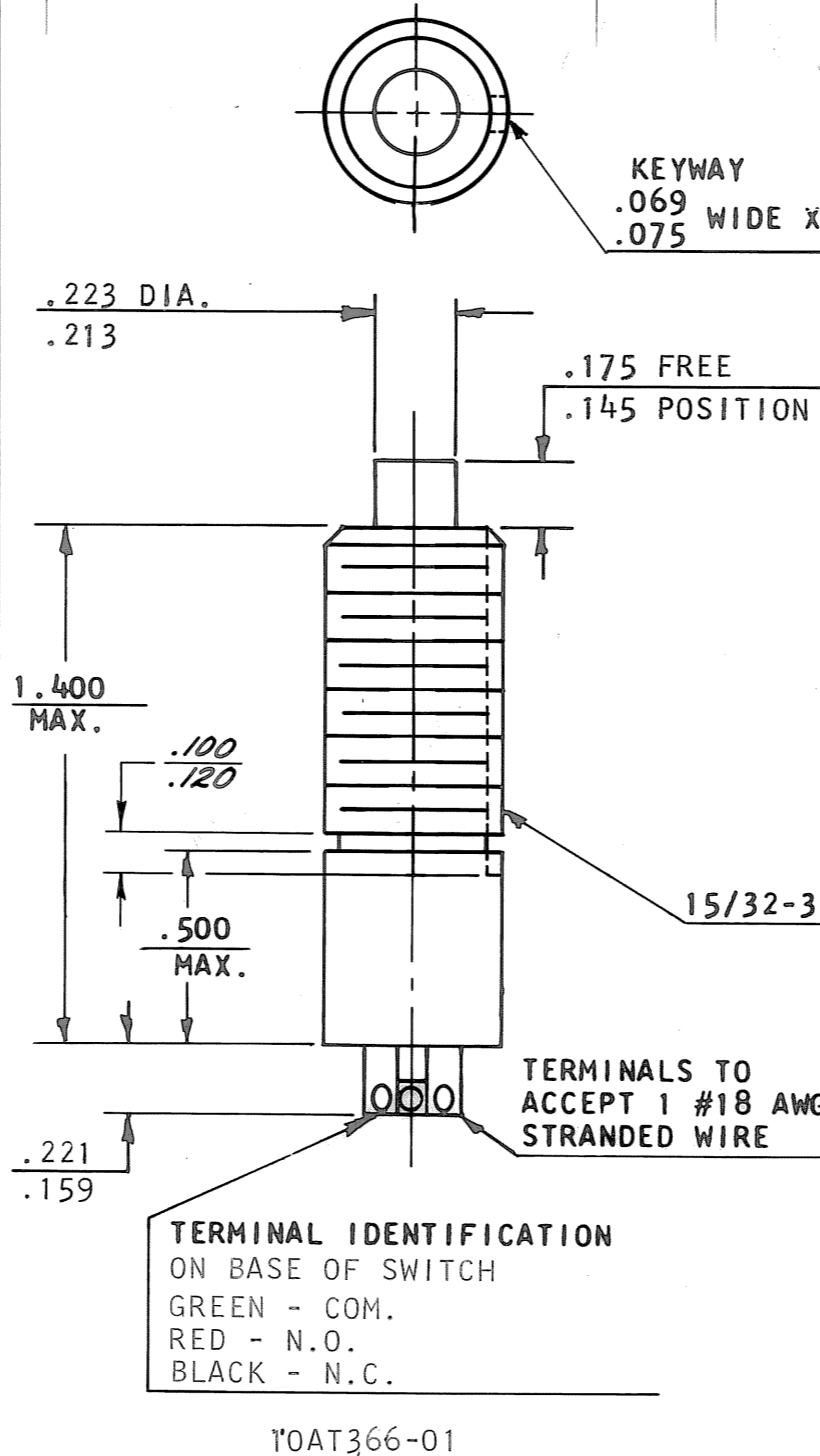
ITEM	REQ'D	DESCRIPTION
HEX NUT	2	MS21340-04
INTERNAL LOCKWASHER	1	MS35333-121
KEYWASHER	1	MS25081-04

M	RESISTIVE WAS 7 AMPS, MIL PIN WAS M8805/74-023-025	1-17-96	JF
L	MIL-W-22759/9 WAS MIL-W-16870/5 (TYPE EE)	7-15-91	CF
K	SEE DCN CR153110	1-26-89	PM

REVISIONS

ZONE	LTR	DESCRIPTION	DATE	APPROVED
-	-	1ST ISSUE	4-3-72	E.W.
-	A	SEE C.N. C.R. 47960	8-16-72	E.W.
-	B	CHANGED POTTING ON VIEW OF 10AT366-03*. CR51812 BC	8-8-73	D.J.
-	C	ADDED MIL. PART NO'S. CR52027	1-17-74	D.J.
D		SEE C.N. CR 48587	7-10-74	D.P.
E		SEE C.N. CR 55474	7-12-74	D.P.
F		COL. 2 NO. 3 WAS: LEADS AT RIGHT ANGLES TO AXIS TO SW. RT. L. CR57430	2-19-76	CE5
G		LENGTHENED KEYWAY	6-22-79	JS
H		SEE DCN CR 94721	1-31-85	MSF
J		SEE C.N. CR 96816	1-15-86	P7M

PART NO.		EXAMPLE		
10AT	366	-1	2	-1
BASIC SWITCH	ENVELOPE DRAWING	0 = SPDT 1 = SPST-N.C. 2 = SPST-N.O.	1=NO LEADS, 2=LEADS PARALLEL TO AXIS OF SWITCH 3= LEADS EXIT PERPENDICULAR TO SWITCH AXIS ON KEYWAY SIDE	1 = 6" MIN. 2 = 12" 3 = 18" 4 = 24" 5 = 30" 6 = 36" 7 = 42" 8 = 48" 9 = 60" 10 = 72"



UNLESS OTHERWISE SPECIFIED DIMENSIONS ARE IN INCHES		BY P. BUMPUS	DATE 4-3-72	TEXAS INSTRUMENTS INCORPORATED ATTLEBORO, MASSACHUSETTS, U.S.A.	KLIXON CONTROL PRODUCTS DIVISION
TOLERANCE ON FRACTIONS DECIMALS ANGLES		CH.	ENG. E. Whipple		
MATERIAL		APPROVED E. Whipple	SIZE B	CODE IDENT NO. 82647	10AT366
CIRCUIT DIAGRAM		SCALE 2:1		SHEET	