

CHARACTERISTICS

| | |
|---------------------------------------|------------------------------------|
| CONTACT ARRANGEMENT | S.P.S.T. OR S.P.D.T. |
| ACTUATION FORCE | 7.0 LBS. MAX. |
| RELEASE FORCE | 1.5 LBS. MIN. |
| PRETRAVEL | .020 MAX. |
| MOVEMENT DIFFERENTIAL | .005 MAX. |
| OVERTRAVEL | .125 MIN. |
| LIFE AT RATED LOAD | 25,000 CYCLES |
| AMBIENT TEMPERATURE RANGE | -85°F TO +275°F |
| DIELECTRIC STRENGTH ACROSS: | |
| OPEN TERMINALS | 800 VRMS (5 SEC.) |
| TERMINALS TO CASE | 1000 VRMS (5 SEC.) |
| VOLTAGE DROP AT 1 AMP | .040 PLUS .021 PER FOOT OF LEAD |
| SEAL | CLASS 5 (HERMETIC) PER MIL-S-8805 |
| MAX. ALLOWED LEAKAGE | 1X10 ⁻⁸ STD. CC HE/SEC. |
| BACKFILL | DRY NITROGEN |
| MAX. FORCE ALLOWED ON TOP OF ACTUATOR | 30 LBS. |

CURRENT CAPACITY

| SEA LEVEL AND 70,000 FT. ALTITUDE | |
|-----------------------------------|---------------|
| LOAD | 28 VOLTS D.C. |
| RESISTIVE | 4 AMPS |
| INDUCTIVE | 1 AMP |
| LAMP | 2 AMPS |

SHOCK RESISTANCE

| | |
|-----------------------------------|--|
| WITHOUT CONTACT CHATTER | 200 G'S |
| VIBRATION RESISTANCE (55-2000 HZ) | |
| WITHOUT CONTACT CHATTER | 65 G'S |
| WEIGHT (INCLUDING HARDWARE) | 1.0 OZ. PLUS .10 OZ. PER LEAD PER FOOT OF WIRE |

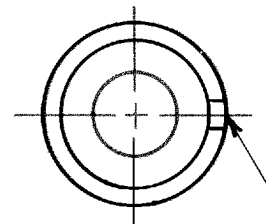
MILITARY EQUIVALENT PART NUMBERS UNDER MIL-S-8805

| | |
|---------------|-------------------|
| T.I. PART NO. | MILITARY PART NO. |
| 10AT370-02-10 | M8805/74-045 |
| 10AT370-03-10 | M8805/74-046 |

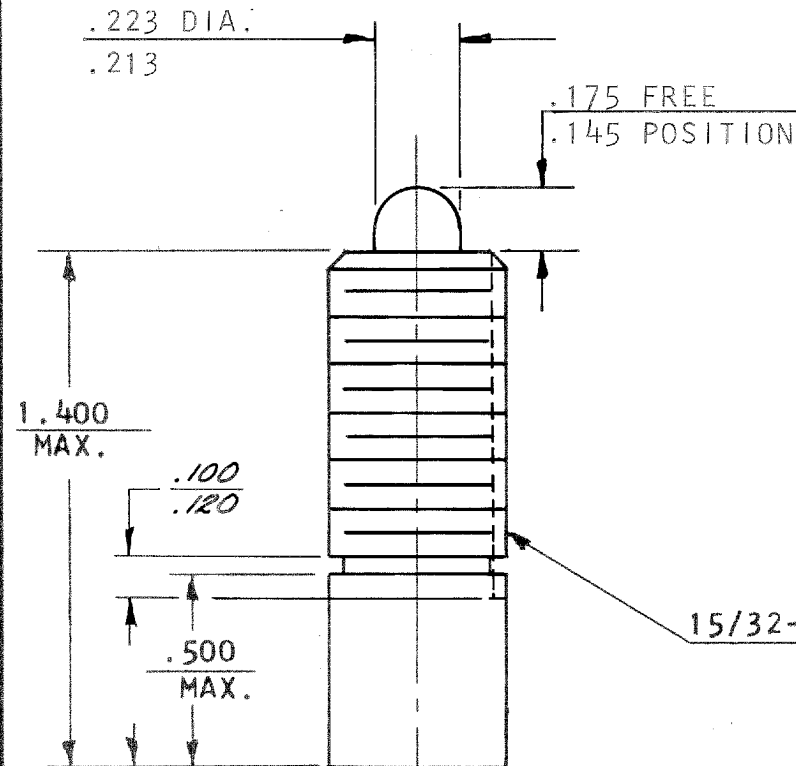
MOUNTING HARDWARE STANDARD ON ALL SWITCHES

| ITEM | REQ'D | DESCRIPTION |
|---------------------|-------|-------------|
| HEX NUT | 2 | MS21340-04 |
| INTERNAL LOCKWASHER | 1 | MS35333-121 |
| KEYWASHER | 1 | MS25081-C4 |

| | | | |
|---|--|---------|----|
| M | RESISTIVE WAS 7 AMPS, MIL PIN WAS M8805/74-045, -046 | 1-17-96 | JF |
| L | MIL-W-22759/9 WAS MIL-W-16878/5 (TYPE EE) | 7-15-91 | CF |
| K | SEE DCN CR15310 | 1-26-89 | PM |



KEYWAY
.069 WIDE X .035 DEEP
.075

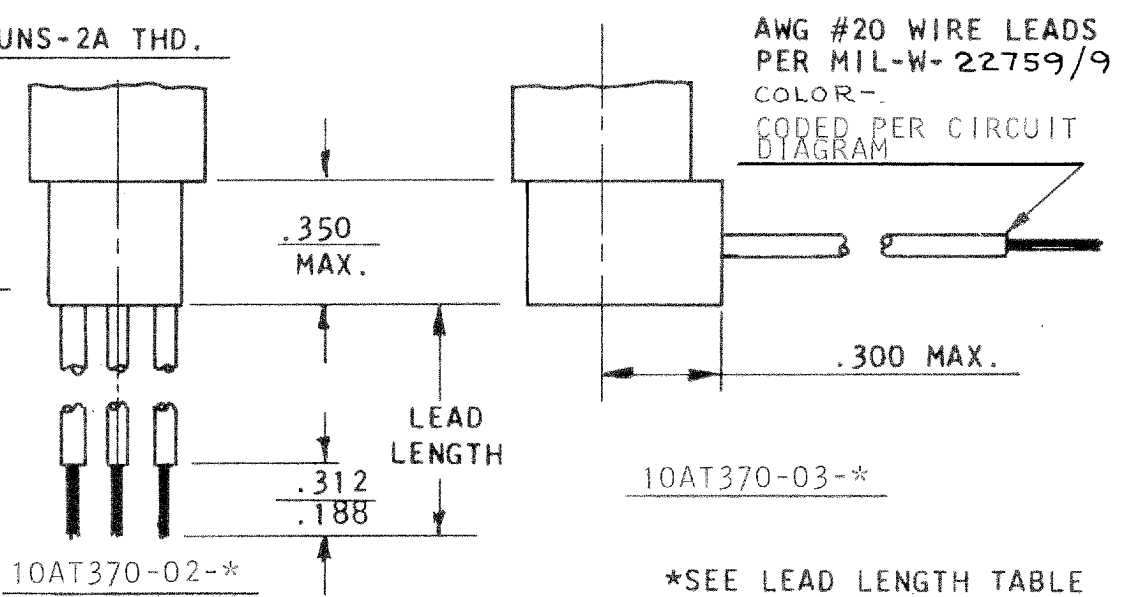


TERMINALS TO ACCEPT 1 #18 AWG STRANDED WIRE

TERMINAL IDENTIFICATION ON BASE OF SWITCH
GREEN - COM.
RED - N.O.
BLACK - N.C.

| REVISIONS | | | | |
|-----------|-----|---|--------------|----------|
| ZONE | LTR | DESCRIPTION | DATE | APPROVED |
| - | - | 1ST. ISSUE CR47456 PB | 4-3-72 | E.W. |
| - | A | SEE C.N., C.R. 47960 | J.H. 8-16-72 | E.W. |
| - | B | CHANGED POTTING IN VIEW OF 10AT370-03-*. CR51812 | 8-8-73 | J.F. |
| - | C | ADDED MIL. PART NOS. CR52027 | L.S. 1-17-74 | J.F. |
| D | | SEE C.N. CR 48587 | RN 7-10-74 | J.F. |
| E | | SEE C.N. CR 55474 | RN 7-12-74 | J.F. |
| F | | COLM. 2# SWAS LEADS AT RIGHT ANGLES TO AXIS TO SWITCH CR50150 | KAS 2-19-76 | CEB |
| G | | LENGTHENED KEYWAY CR 78453 | 6-22-79 | J.F. |
| H | | SEE C.N. CR. 94797 | N.A. 3-5-85 | M.J.F. |
| J | | SEE CN CR 96816 | 1-15-86 | P7M |

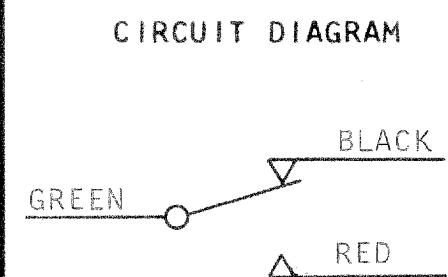
| PART NO. EXAMPLE | | | | |
|------------------|------------------|--|---|---|
| 10AT | 370 | -1 | 2 | -1 |
| BASIC SWITCH | ENVELOPE DRAWING | 0 = SPDT 1 = SPST-N.C. 2 = SPST-N.O. | 1=NO LEADS 2=LEADS PARALLEL TO AXIS OF SWITCH 3= LEADS EXIT PERPENDICULAR TO SWITCH AXIS ON KEYWAY SIDE | 1 = 6" MIN. 2 = 12" 3 = 18" 4 = 24" 5 = 30" 6 = 36" 7 = 42" 8 = 48" 9 = 60" 10 = 72" |



10AT370-01

10AT370-02-*

*SEE LEAD LENGTH TABLE



| | | | | | |
|-----------------|---|----------------------------|--------------------|--|--|
| CIRCUIT DIAGRAM | UNLESS OTHERWISE SPECIFIED DIMENSIONS ARE IN INCHES | BY R.BUMPUS | DATE 4-3-72 | TEXAS INSTRUMENTS INCORPORATED ATTLEBORO, MASSACHUSETTS, U.S.A. | KLIXON CONTROL PRODUCTS DIVISION |
| | TOLERANCE ON FRACTIONS DECIMALS ANGLES | CH. | | | |
| MATERIAL | | ENG. E. Whipple | DATE 4-3-72 | TITLE PLUNGER ACTUATED SWITCH ENVELOPE DRAWING | |
| | | APPROVED E. Whipple | | SIZE B | CODE IDENT NO. 82647 |
| | | | | SCALE 2:1 | SHEET |