

CHARACTERISTICS

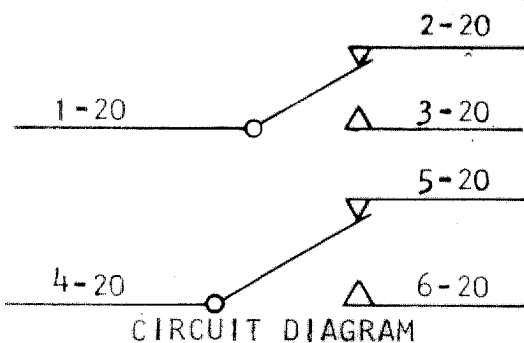
CONTACT ARRANGEMENT	DPST OR DPDT
ACTION FORCE	10 LBS. MAX.
RELEASE FORCE	1 LB. MIN.
PRETRAVEL	.020-.030
MOVEMENT DIFFERENTIAL	.020 MAX.
OVERTRAVEL	.200 MIN.
LIFE AT RATED LOAD	25,000 CYCLES
AMBIENT TEMPERATURE RANGE	-85°F TO +275°F
DIELECTRIC STRENGTH ACROSS:	
OPEN TERMINALS	800 VRMS (A3)
TERMINALS TO CASE	1000 VRMS
VOLTAGE DROP AT 1 AMP	.040 PLUS .021 PER FOOT OF LEAD
SEAL	CLASS 5 (HERMETIC) PER MIL-S-8805
MAX. ALLOWED LEAKAGE	1X10 ⁻⁸ STD CC HE/SEC.
BACKFILL	DRY NITROGEN
MAX. FORCE ALLOWED ON TOP OF ACTUATOR	30 LBS. (D)

SEA LEVEL AND 70,000 FT. ALTITUDE	
LOAD	28 VOLTS D.C.
RESISTIVE	4 AMPS
INDUCTIVE	1 AMP
LAMP	2 AMPS

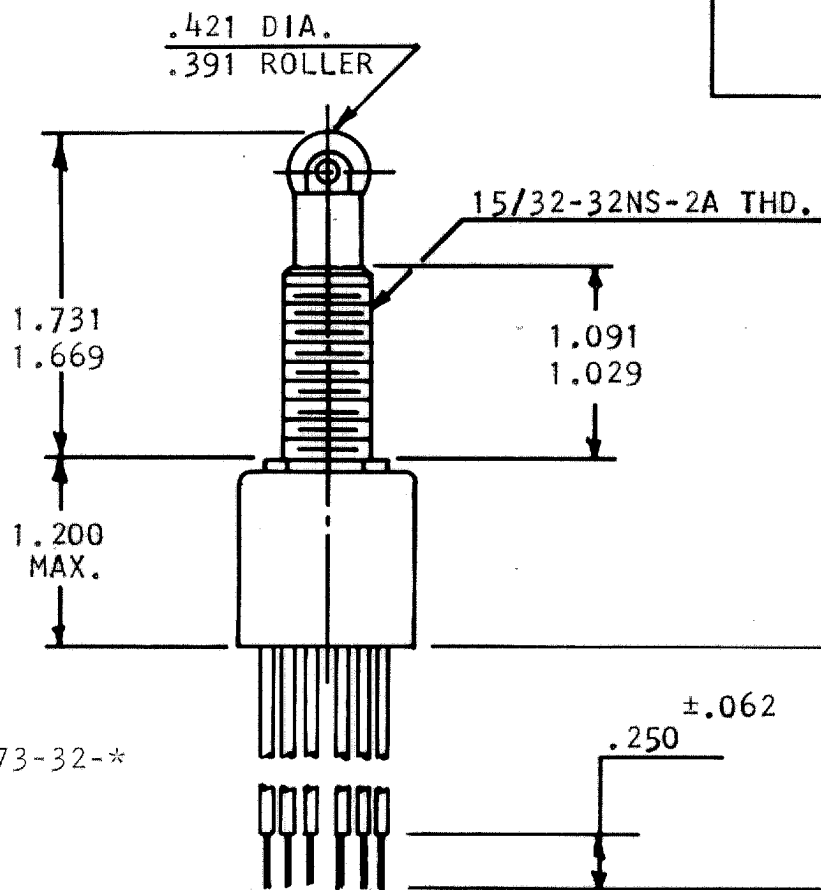
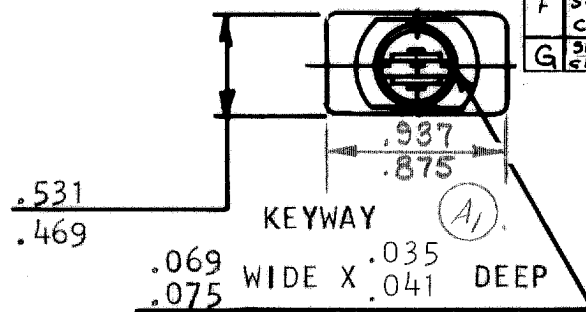
SHOCK RESISTANCE WITHOUT CONTACT CHATTER	200 G'S
VIBRATION RESISTANCE (55-3000 HZ) WITHOUT CONTACT CHATTER	65 G'S (A2)
WEIGHT (INCLUDING HARDWARE)	1.6 OZ PLUS .10 OZ PER LEAD PER FT. OF WIRE

MOUNTING HARDWARE STANDARD ON ALL SWITCHES

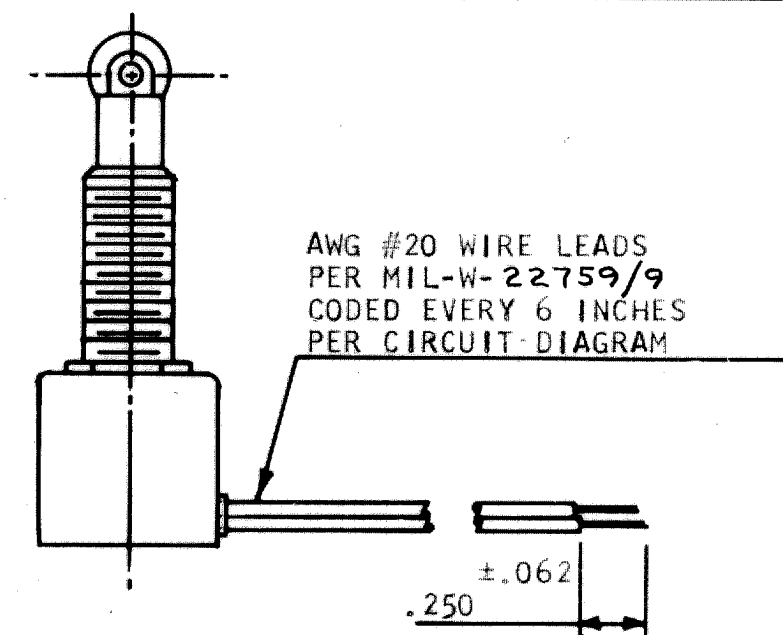
ITEM	REQ'D	DESCRIPTION
HEX NUT	(2)	SAME AS MS21340-04 EXCEPT MATERIAL IS 303 ST. STEEL AND HAS 3 LOCKWIRE HOLES (F1)
INTERNAL LOCKWASHER	(1)	MS 35333-12T (F2)
KEYWASHER	(1)	MS25081-C4



H RESISTIVE WAS TAMPS MIL P/N WAS M8805/70-026-028 CR M25154 RJM 1-17-96 JF



10AT373-32-*



10AT373-33-*

REVISIONS		ZONE	LTR	DESCRIPTION	DATE	APPROVED
C	PRETRAVEL WAS .030 MAX C.R. 708470 1/2 DR					
D	SEE DCN CR 94721 B 1-31-85 NLF					
E	SEE C.U. CR 96516 1-15-80			1ST ISSUE CR 48294	11-8-72	E.W.
F	SEE C.U. 11-29-88 CR 15279 B		A3	1 WAS .031-.037, 2 WAS 55-2000 HZ, 3 WAS (55SEC) CR 51714	7-17-73	E.W.
G	SEE D.C.N. 7-16-97 CR M05844		B	ADDED MIL. PART NO'S. CR 52027	1-17-74	D.P.

EXAMPLE: 10AT373-32-1

PART NO.		EXAMPLE		
10AT	373	-3	-2	-1
BASIC SWITCH	CONFIGURATION	3=DPDT 4=DPST-N.C. 5=DPST-N.O. 6=DPST-NC/NO	2=LEADS PARALLEL TO AXIS OF SWITCH 3=LEADS AT RIGHT ANGLE TO AXIS OF SWITCH	1= 6" 2=12" 3=18" 4=24" 5=30" 6=36" 7=42" 8=48" 9=60" 10=72"

*SEE LEAD LENGTH TABLE

MILITARY EQUIVALENT PART NUMBERS UNDER MIL-S-8805

T.I. PART NO. MILITARY PART NO.

10AT373-32-10 M8805/70-034
 10AT373-33-10 M8805/70-036 (E)

UNLESS OTHERWISE SPECIFIED DIMENSIONS ARE IN INCHES	BY J. PRESNOL	DATE 11-8-72	Q131 P191	P3
TOLERANCE ON FRACTIONS DECIMALS ANGLES	CH.			
ENG. E. Whipple	12-8-72	TEXAS INSTRUMENTS INCORPORATED ATTLEBORO, MASSACHUSETTS, U.S.A.		
APPROVED E. Whipple	12-8-72	TITLE 10AT373 ROLLER PLUNGER SWITCH ENVELOPE DRAWING		
SIZE B	CODE IDENT NO. 82647	10AT373		
SCALE	SHEET			